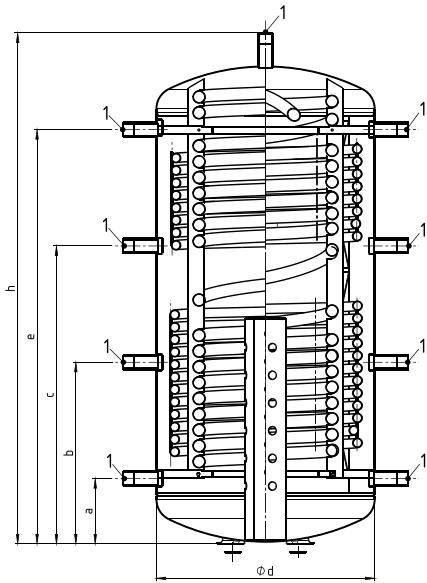
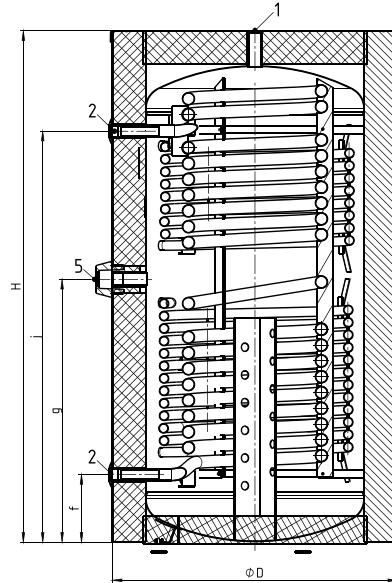


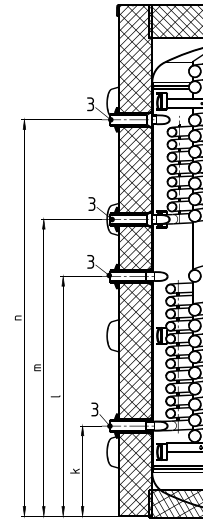
Section view A-A



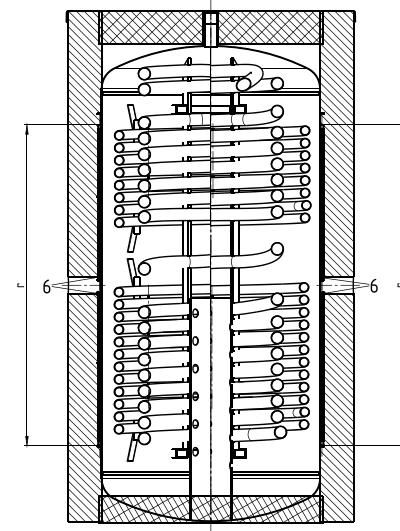
Section view B-B



Section view C-C



Section view E-E



D	838 mm
H	1972 mm
a	235 mm
b	713 mm
c	1193 mm
d	597 mm
e	1667 mm
f	242 mm
g	895 mm
h	1971 mm
j	1657 mm
k	295 mm
l	795 mm
p	110 mm

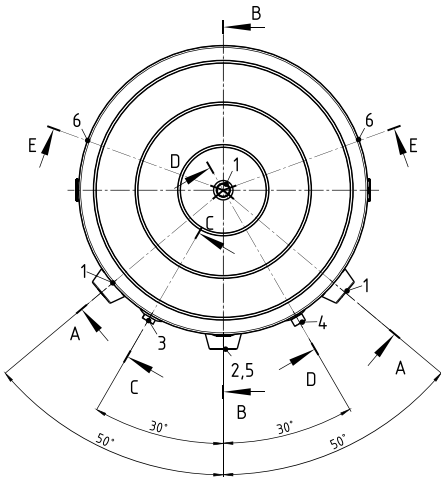
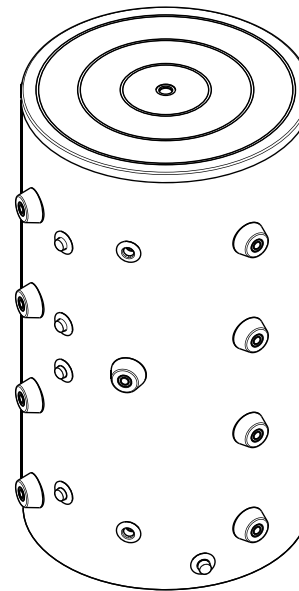
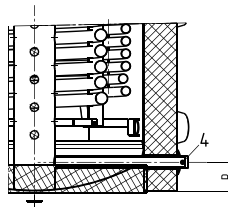
1	G 1 1/2"
2	G 1"
3	R 1"
4	R 1 1/4"
5	G 1 1/2"

1	Innengewinde
---	--------------



Thinking solutions.

Section view D-D



Unterliegt nicht dem Änderungsdienst / Not subject to change management	Maßstab / Scale: unmaßstäblich unmeasured	Format / Size: A4
Revision 19/06/2026	Storatherm Heat Combi HC 500/1_C silber – Pdf_drawing_7859200	