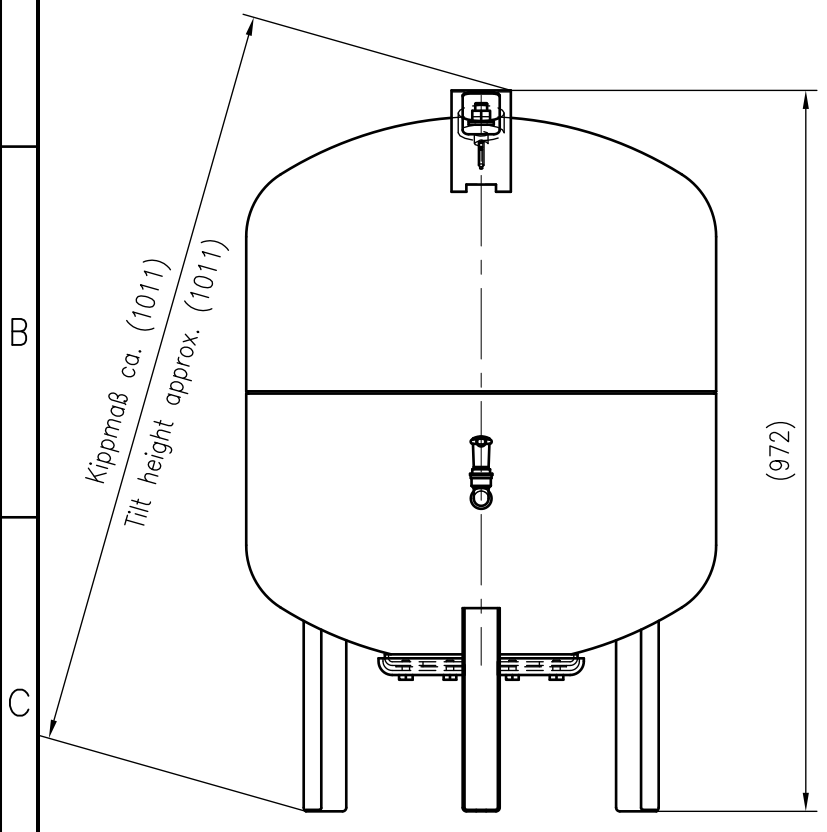
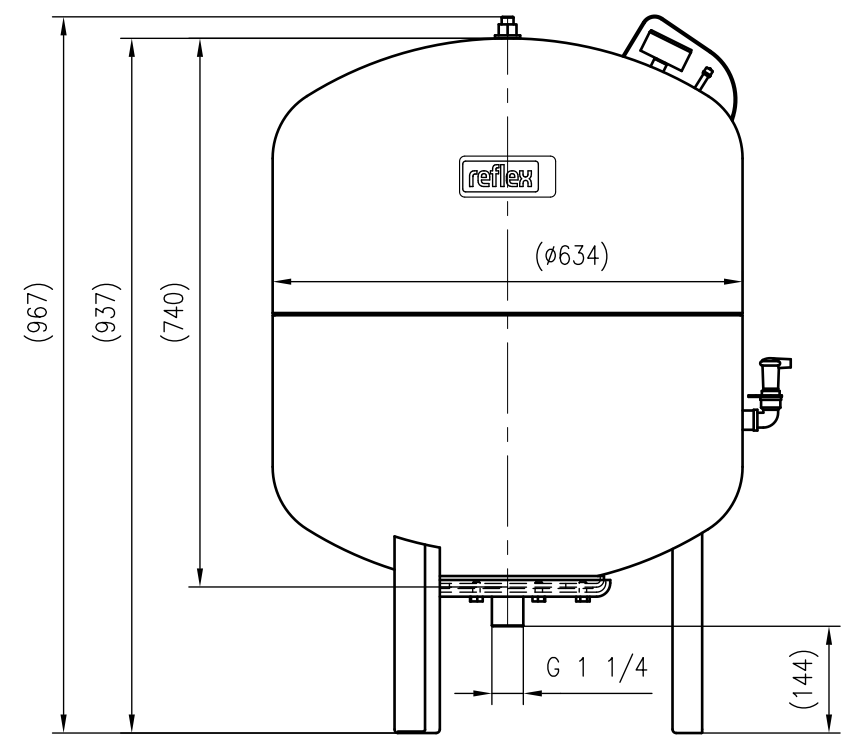


1 2 3 4 5 6 7 8

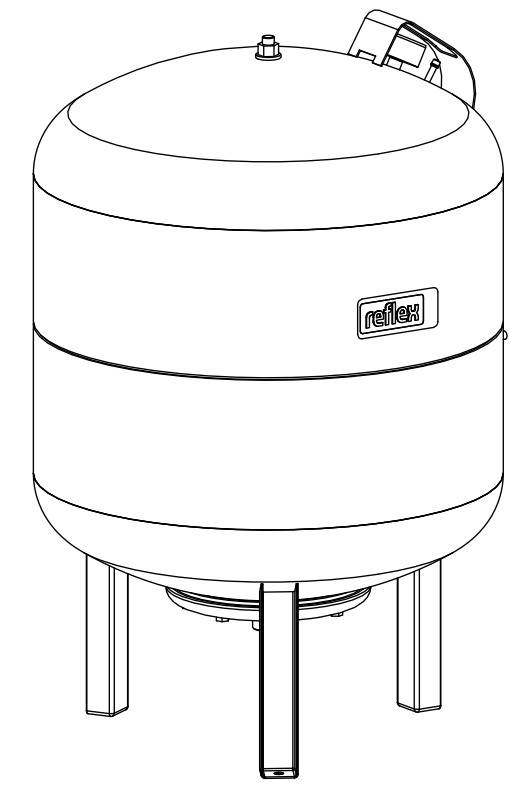
A A



Side view

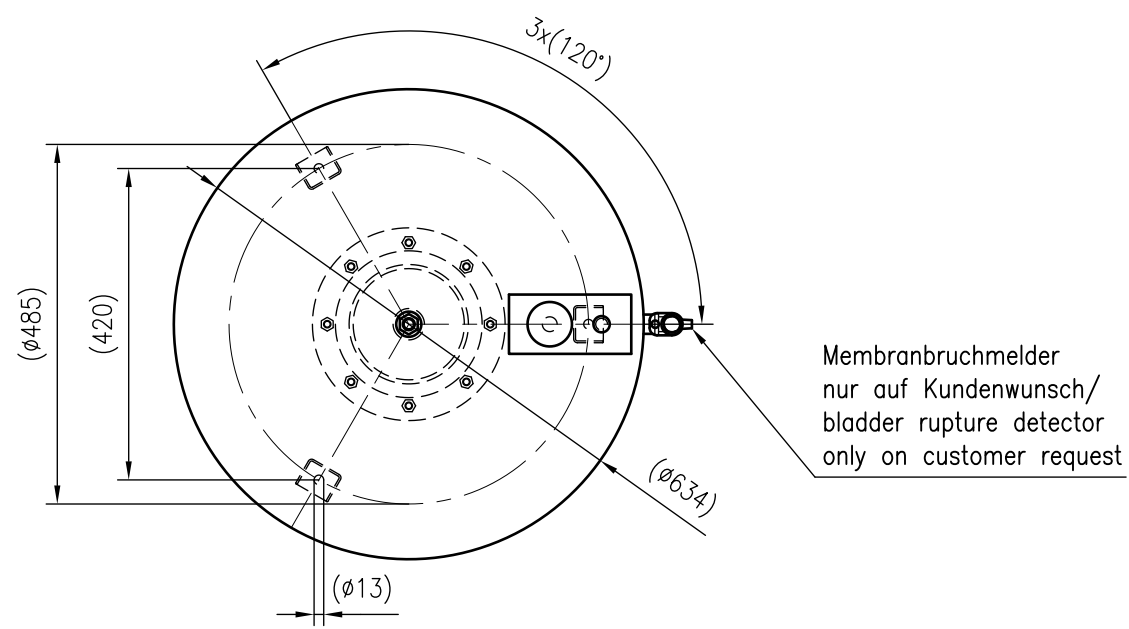


Front view



Isometric view

D D



Top view



E E

Unterliegt nicht dem Änderungsdienst/ Not subject to change management	Maßstab/ Scale: 1:10	Format/ Size: A3
---	-------------------------	---------------------

Revision 28.08.2023	Reflex G200 6bar – 8519100
------------------------	----------------------------

F F

1 2 3 4 5 6 7 8 A3