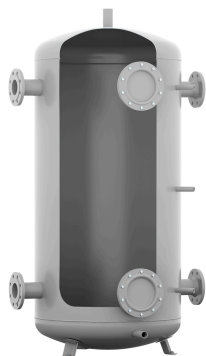
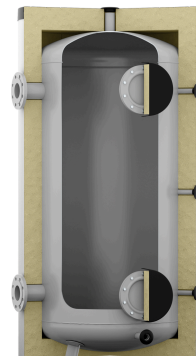


# Buffer tanks

Storatherm Heat buffer storage tank for heating and cooling systems with high volume



H.../R2

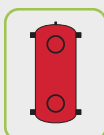


HF.../R2

## Technical Features

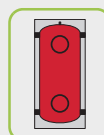
- equipped with 4 opposite flange connections (DIN EN 1092-1) and 2 inspection openings (DN180) as well as 3 sensor connections and drainage
- high-grade S235JRG2 (St 37-2) for heating and cooling applications
- tank not treated inside, plastic-coated outside
- max. permissible operating overpressure:  
→ tank 10 bar
- max. permissible operating temperature:  
→ tank 95 °C

## Type overview



### H.../R2

buffer tank with cleaning opening without insulation for cooling applications. suitable diffusion-tight thermal insulation must be provided by the user.  
without insulation



### HF.../R2

buffer tank with cleaning opening and insulation

#### insulation

up to 1,000 l: 100 mm fleece insulation with foil jacket, removable  
from 1,500 l: 120 mm fleece insulation with foil jacket, removable

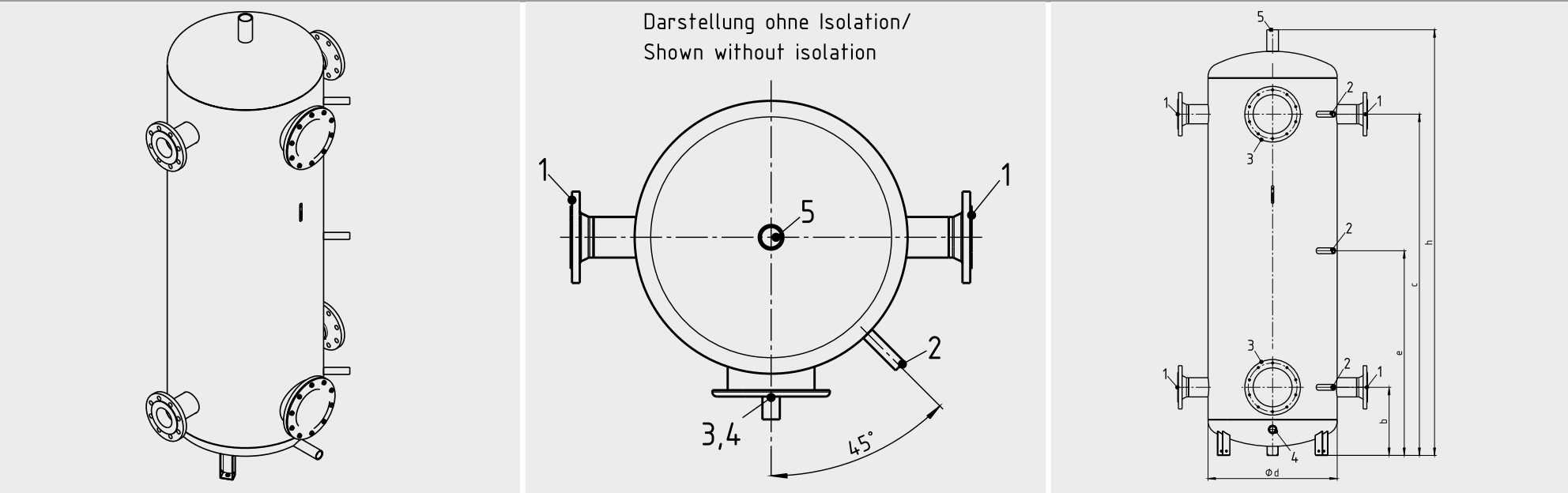
## Storatherm Heat buffer storage tank for heating and cooling systems with high volume flows

Type	Art. No. silver	EEC <sup>1</sup>	Volume [l]	Max. Installation length EEHR [mm]	Tilted dimension [mm]	Weight [kg]
<b>Storatherm Heat H .../R2 buffer tank without insulation</b>						
H 500/R2	7351700	–	479	619	2009	110,70
H 800/R2	7351800	–	777	812	1938	187,80
H 1000/R2	7351900	–	897	811	2181	201,90
H 1500/R2	7352700	–	1412	1023	2222	205,50
<b>Storatherm Heat HF .../R2 buffer tank with insulation</b>						
HF 500/R2_C	7353500	C	479	620	2009	115,30
HF 800/R2_C	7353600	C	777	812	1938	197,00
HF 1000/R2_C	7353700	C	897	812	2181	221,00
HF 1500/R2_C	7353800	C	1412	1023	2222	212,27

<sup>1</sup> Energy efficiency class

# Storatherm Heat buffer storage tank for heating and cooling systems with high volume flows

## Geometric data



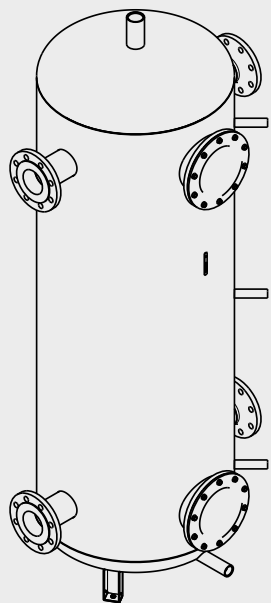
Type	Depth g [mm]	Diameter without insulation d [mm]	Height connection								Max. height h [mm]	Width j [mm]
			EFHR 1 b [mm]	EFHR 2 c [mm]	drainage a [mm]	sensor 1 b [mm]	sensor 2 e [mm]	sensor 3 c [mm]	socket / flange 1 b [mm]	socket / flange 2 c [mm]		
Storatherm Heat H .../R2 buffer tank without insulation												
H 500/R2	839	597	315	1578	120	315	947	1578	315	1578	1969	874
H 800/R2	1025	790	352	1434	135	352	893	1434	352	1434	1863	1070

## Storatherm Heat buffer storage tank for heating and cooling systems with high volume flows

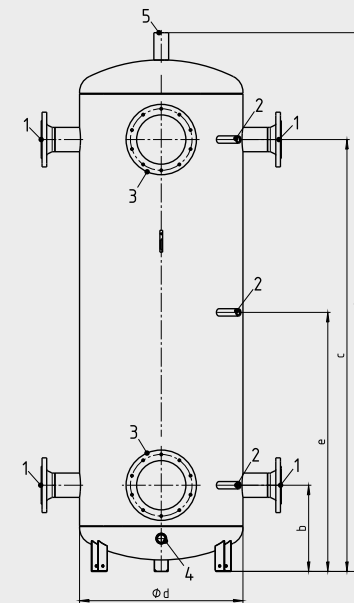
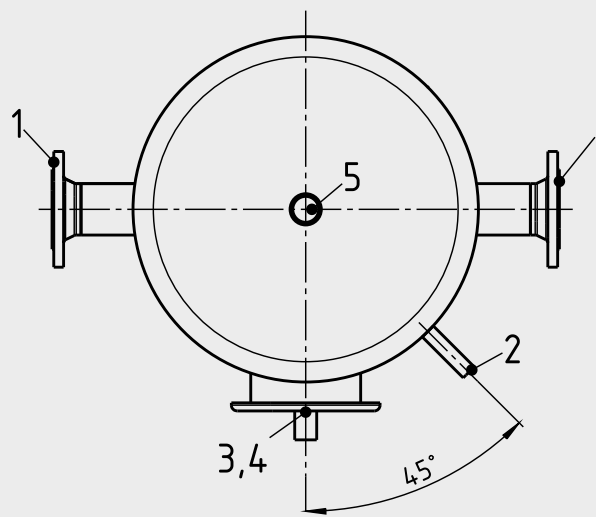
Type	Depth g [mm]	Diameter without insulation d [mm]	Height connection								Max. height h [mm]	Width j [mm]
			EFHR 1 b [mm]	EFHR 2 c [mm]	drainage a [mm]	sensor 1 b [mm]	sensor 2 e [mm]	sensor 3 c [mm]	socket/flange 1 b [mm]	socket/flange 2 c [mm]		
H 1000/R2	1025	790	352	1686	135	352	1038	1686	352	1686	2215	1074
H 1500/R2	1290	1000	439	1639	220	439	1039	1639	439	1639	2119	1284

# Storatherm Heat buffer storage tank for heating and cooling systems with high volume flows

## Geometric data



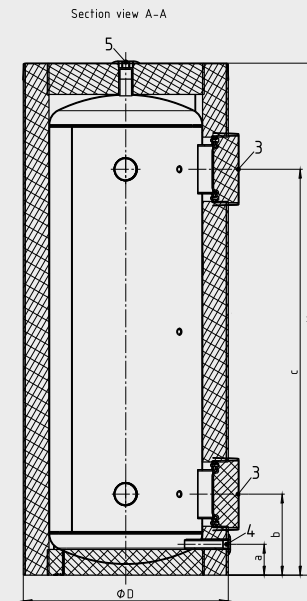
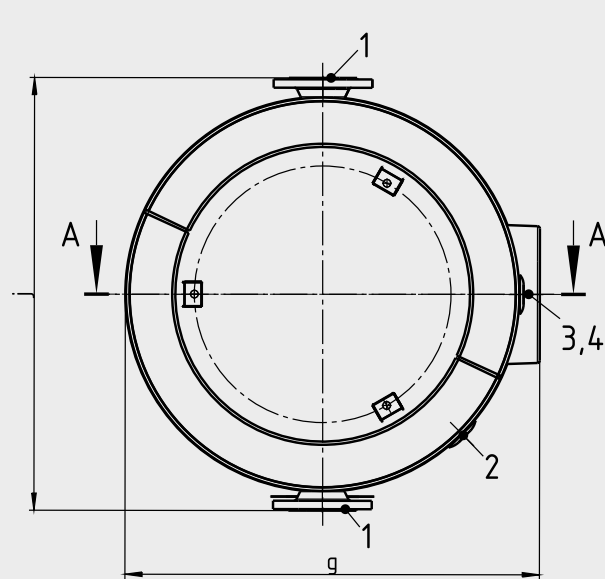
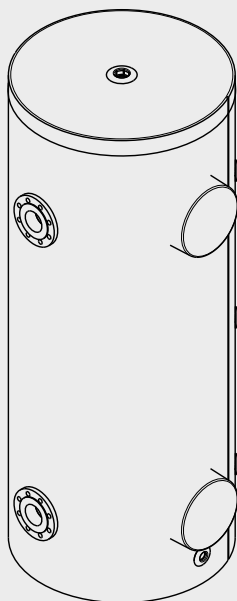
Darstellung ohne Isolation/  
Shown without insulation



Type	Connection drainage 4	Connection flange EFHR 3	Connection socket EEHR 5	Connection socket / flange 1	Connection temperature sensor 2
Storatherm Heat H .../R2 buffer tank without insulation					
H 500/R2	G1"	DN180	G 1 1/2"	DN80/PN16	G 1/2"
H 800/R2	G1"	DN180	G 1 1/2"	DN80/PN16	G 1/2"
H 1000/R2	G1"	DN180	G 1 1/2"	DN125/PN16	G 1/2"
H 1500/R2	G1"	DN180	G 1 1/2"	DN125/PN16	G 1/2"

# Storatherm Heat buffer storage tank for heating and cooling systems with high volume flows

## Geometric data



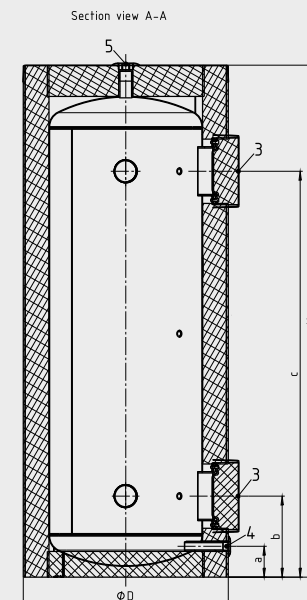
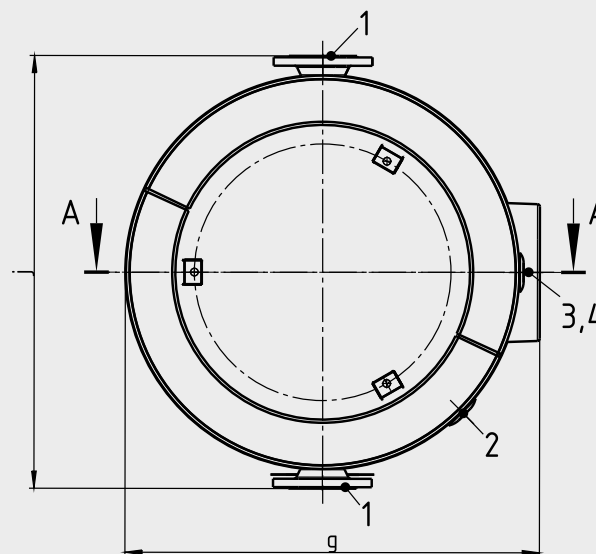
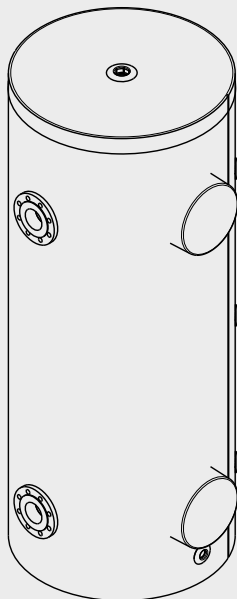
Type	Depth	Diameter	Diameter without insulation	Height connection								Height without insulation	Max. height	Width
	g [mm]	D [mm]	d [mm]	EFHR 1 b [mm]	EFHR 2 c [mm]	drainage a [mm]	sensor 1 b [mm]	sensor 2 e [mm]	sensor 3 c [mm]	socket / flange 1 b [mm]	socket / flange 2 c [mm]	h [mm]	H [mm]	j [mm]
<b>Storatherm Heat HF .../R2 buffer tank with insulation</b>														
HF 500/R2_C	839	797	597	315	1578	120	315	947	1578	315	1578	1969	1991	874
HF 800/R2_C	1025	990	790	315	1578	135	352	893	1434	352	1434	1863	1892	1070

## Storatherm Heat buffer storage tank for heating and cooling systems with high volume flows

Type	Depth g [mm]	Diameter D [mm]	Diameter without insulation d [mm]	Height connection								Height without insulation h [mm]	Max. height H [mm]	Width j [mm]
				EFHR 1 b [mm]	EFHR 2 c [mm]	drainage a [mm]	sensor 1 b [mm]	sensor 2 e [mm]	sensor 3 c [mm]	socket/ flange 1 b [mm]	socket/ flange 2 c [mm]			
HF 1000/R2_C	1025	990	790	352	1686	135	352	1038	1686	352	1686	2115	2137	1074
HF 1500/R2_C	1290	1240	1000	439	1639	220	439	1039	1639	439	1639	2119	2100	1284

## Storatherm Heat buffer storage tank for heating and cooling systems with high volume flows

### Geometric data



Type	Connection drainage 4	Connection flange EFHR 3	Connection socket EEHR 5	Connection socket/flange 1	Connection temperature sensor 2
Storatherm Heat HF .../R2 buffer tank with insulation					
HF 500/R2_C	G1"	DN180	G 1 1/2"	DN80/PN16	G 1/2"
HF 800/R2_C	G1"	DN180	G 1 1/2"	DN80/PN16	G 1/2"
HF 1000/R2_C	G1"	DN180	G 1 1/2"	DN125/PN16	G 1/2"
HF 1500/R2_C	G1"	DN180	G 1 1/2"	DN125/PN16	G 1/2"