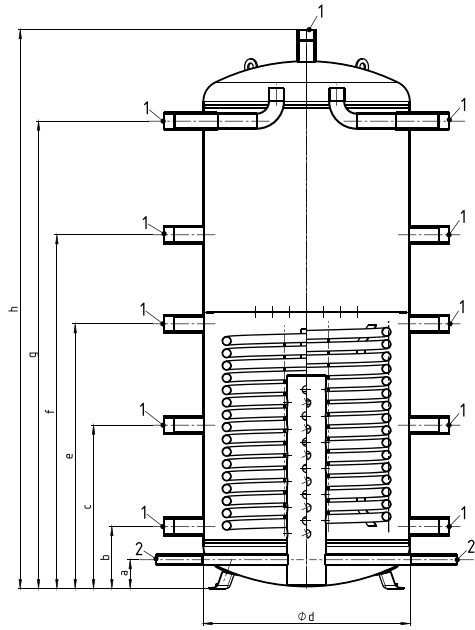
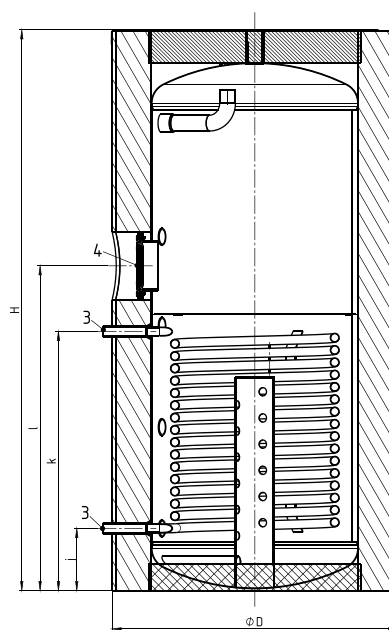


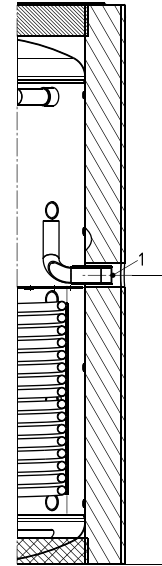
Section view A-A



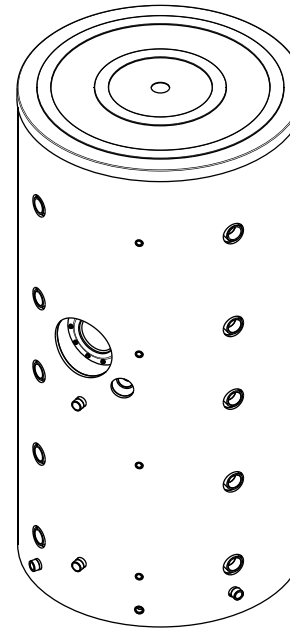
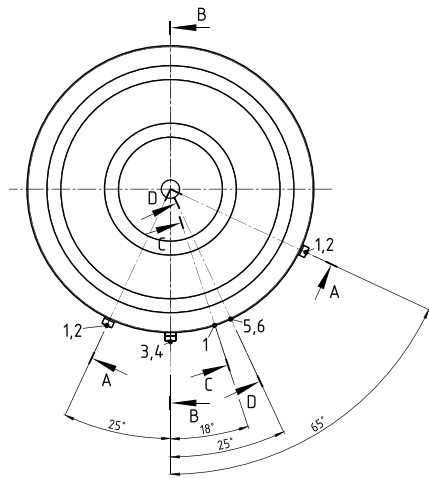
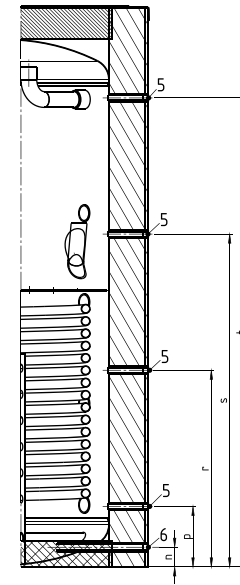
Section view B-B



Section view C-C



Section view D-D



D	1010 mm
H	1845 mm
a	110 mm
b	236 mm
c	526 mm
d	790 mm
e	841 mm
f	1181 mm
g	1496 mm
h	1844 mm
j	236 mm
k	847 mm
l	1100 mm
m	938 mm
n	75 mm
p	224 mm
r	652 mm
s	1080 mm
t	1508 mm

1	Rp 2"
2	G 1 1/4"
3	R 1 1/4"
4	DN110
5	Rp 1/2"
6	Rp 3/4"

1	Innengewinde
---	--------------



Thinking solutions.

Unterliegt nicht dem Änderungsdienst / Not subject to change management
 Maßstab / Scale: unmaßstäblich / unmeasured
 Format / Size: A4

Revision: 19/06/2026
 Storaflow Heat SH 800 H/F/1_C grau – Pdf_drawing_7938100