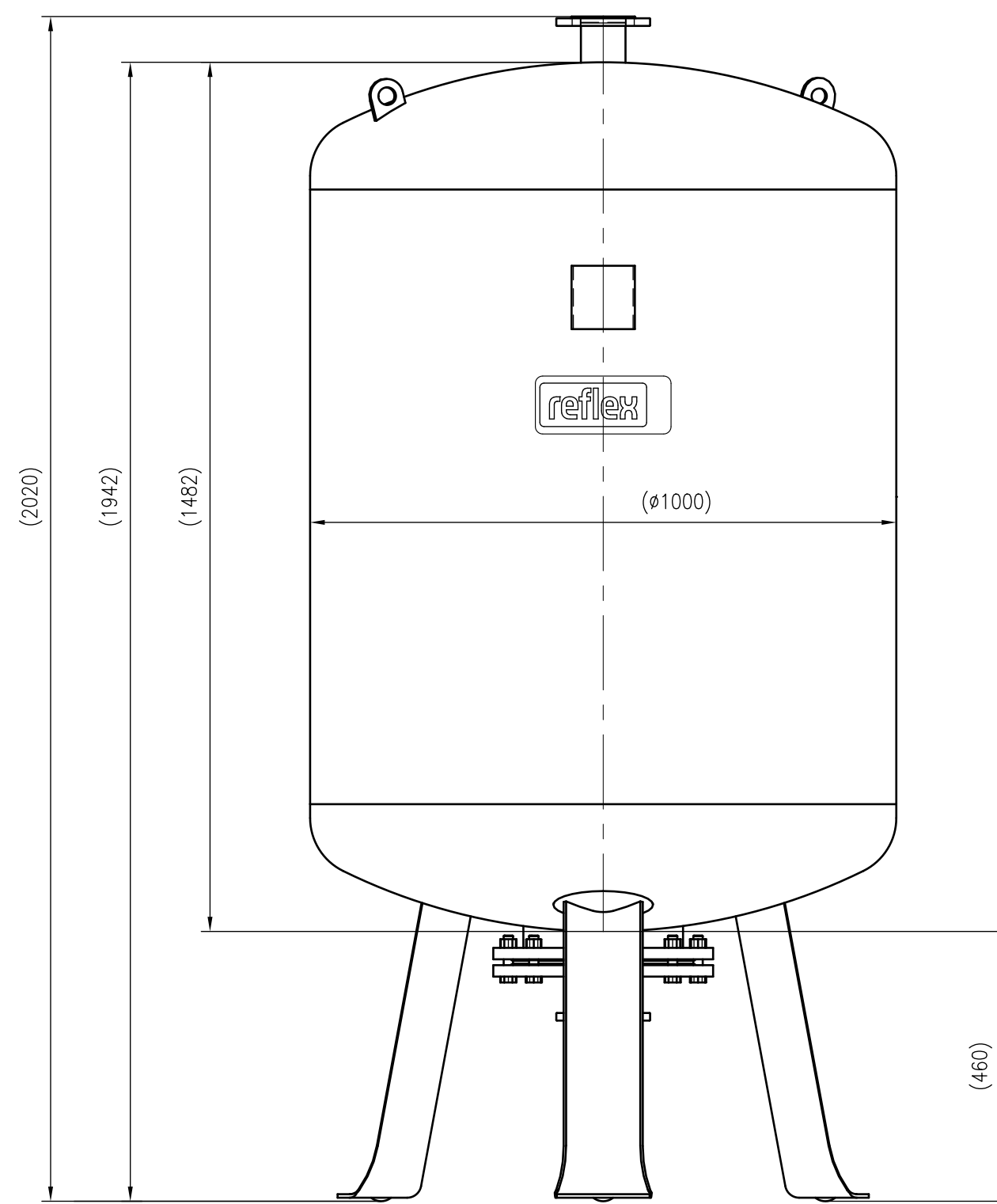
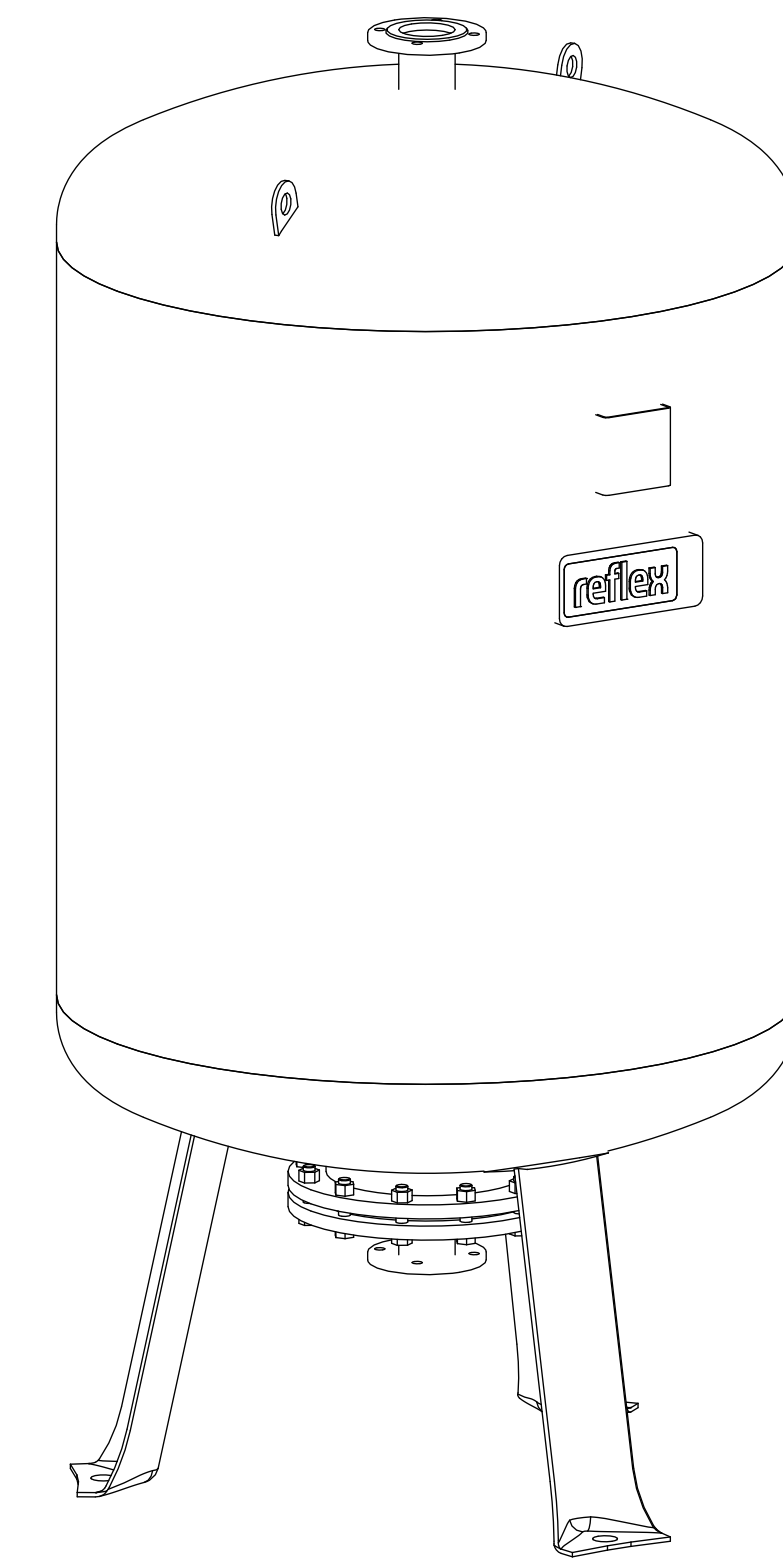


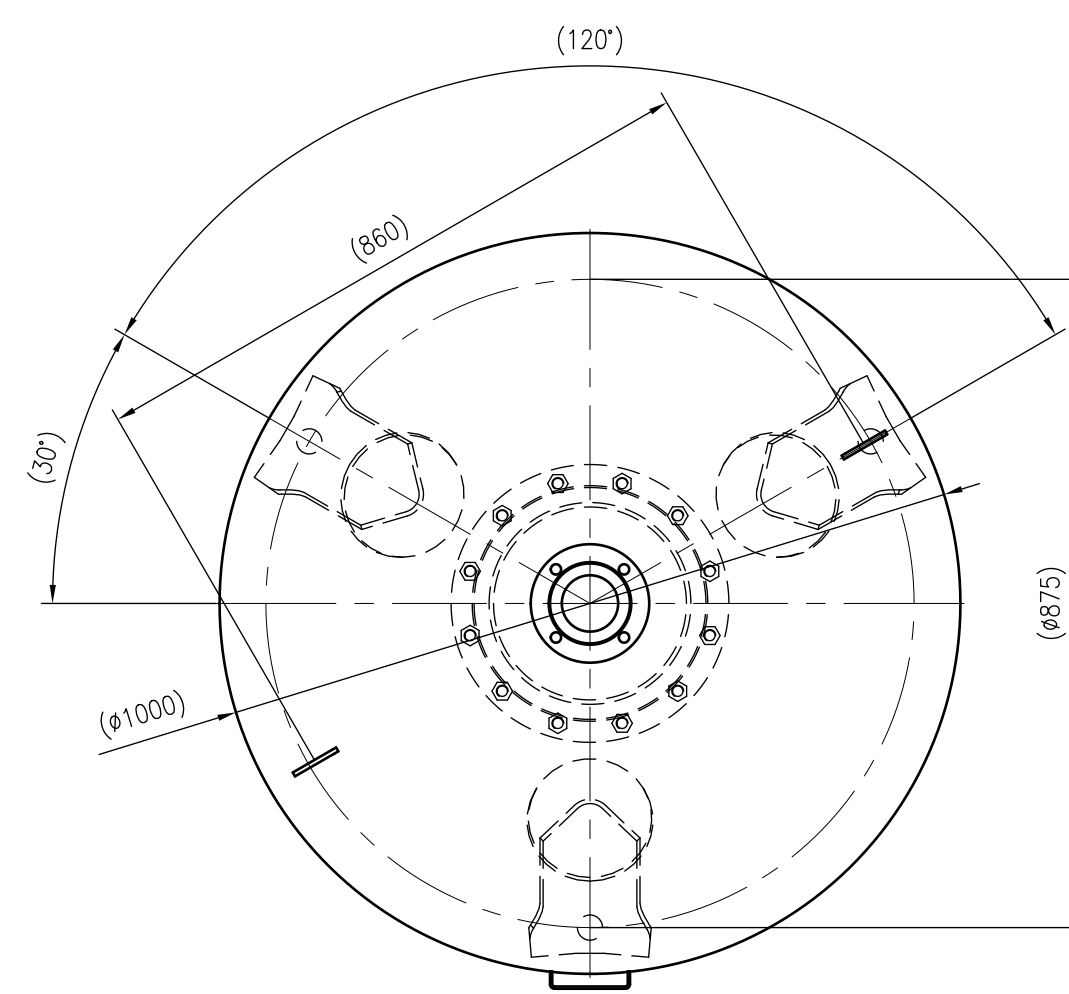
Side view



Front view



Isometric view



Top view



| | | | |
|---|--|-------------------------|---------------------|
| Unterliegt nicht dem Änderungsdienst/ Not subject to change management | | Maßstab/ Scale: 1:10 | Format/ Size: A1 |
| Revision 16.08.2017 | Intermediatevessels V1000 6bar – 8851905 | | |
| | | | A1 |