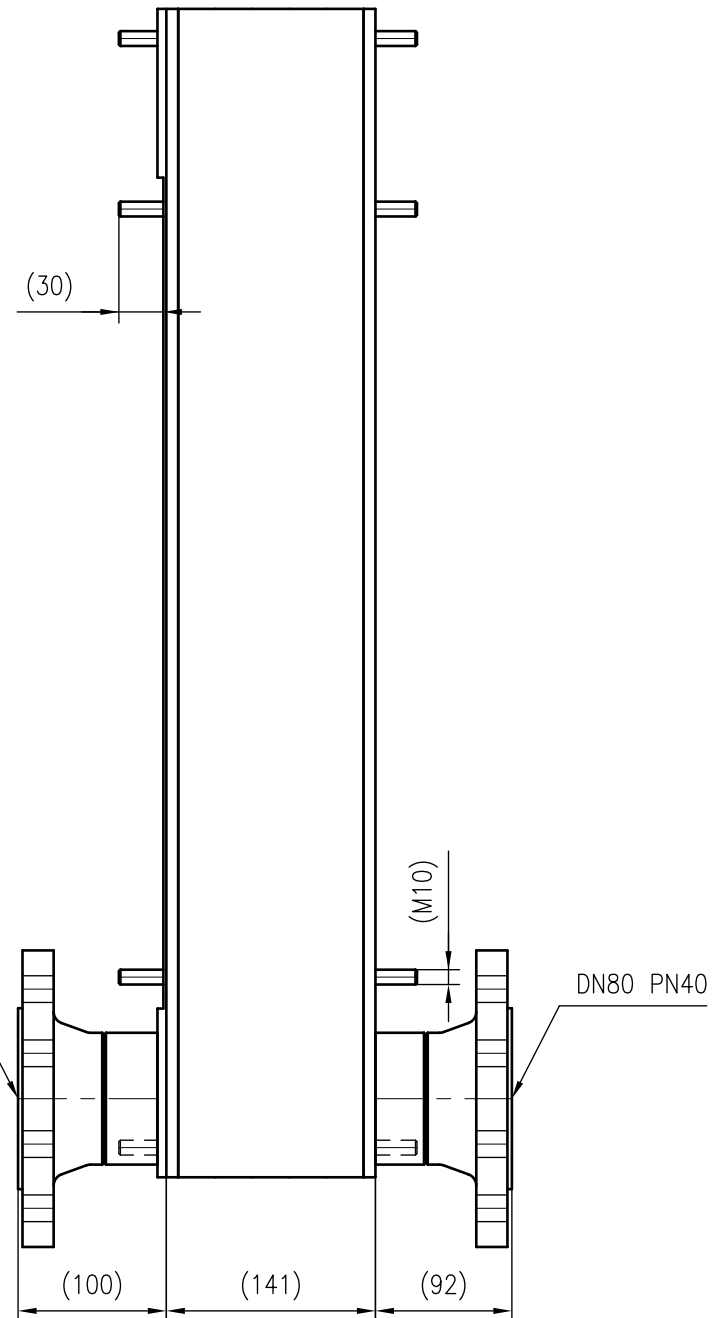
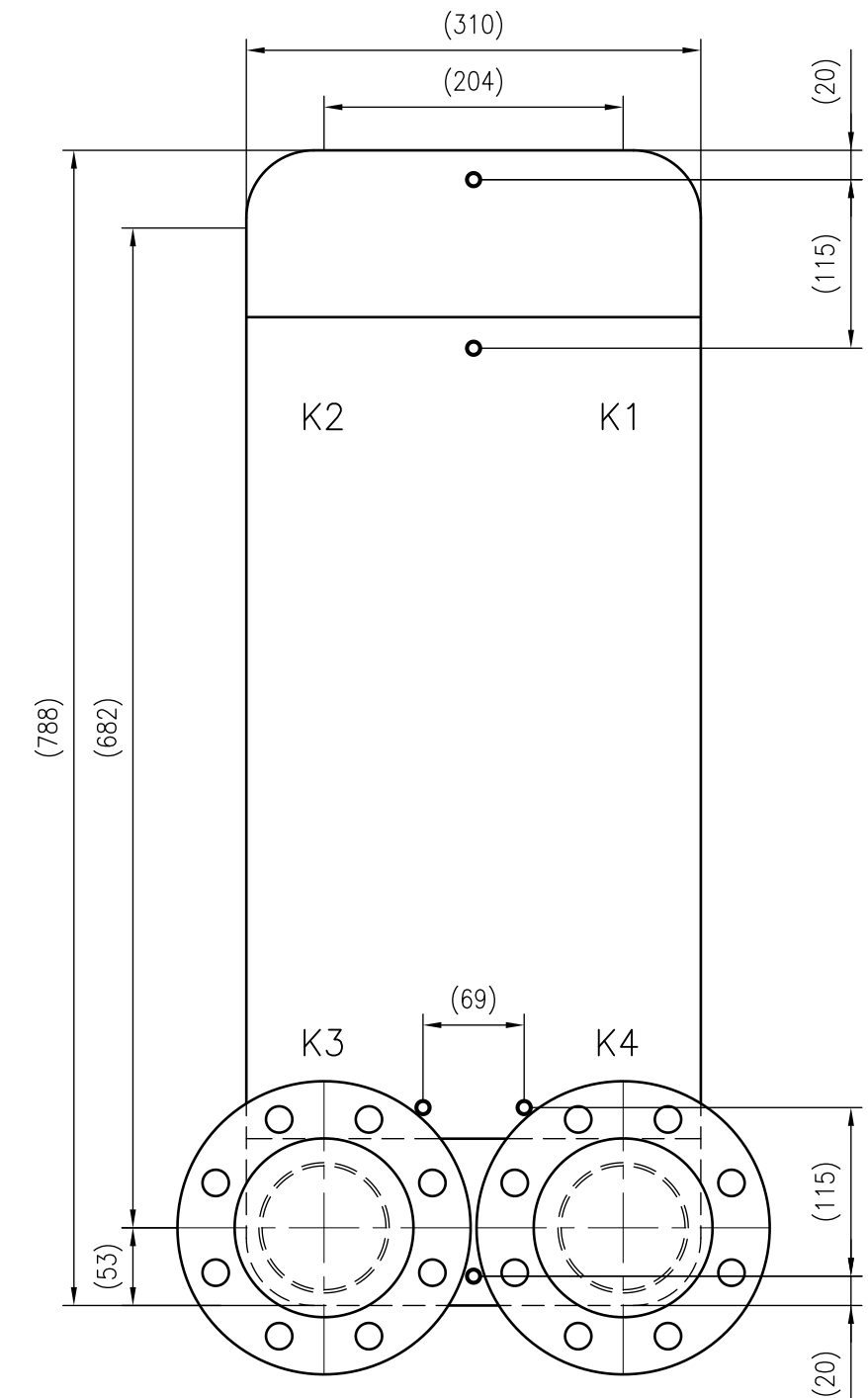


1 2 3 4 5 6 7 8 9 10 11 12

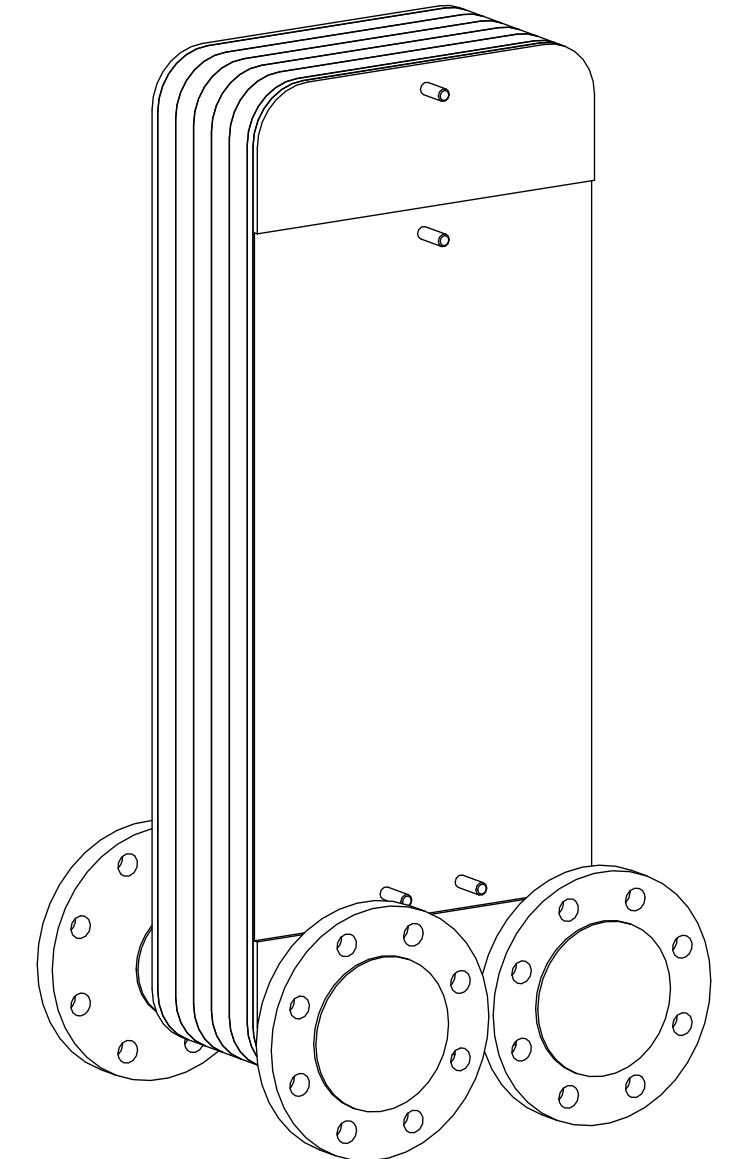
A
B
C
D
E
F
G
H



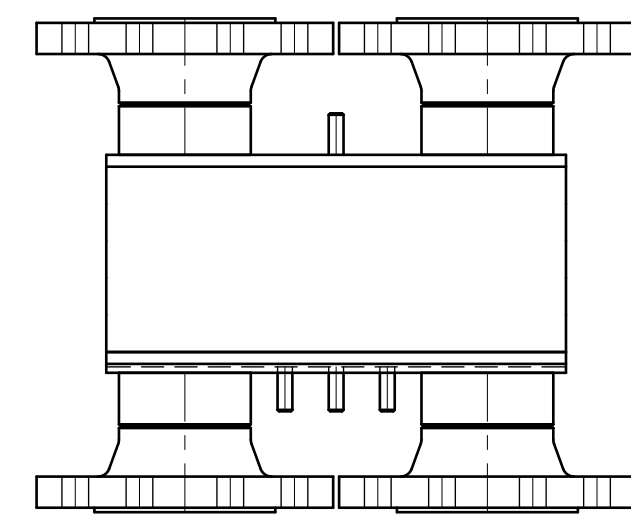
Side view



Front view



Isometric view



Top view



Unterliegt nicht dem Änderungsdienst/ Not subject to change management	Maßstab/ Scale: 1:5	Format/ Size: A2
---	------------------------	---------------------

Revision 27.08.2020	Longtherm RMB-235-2-50-P25 - 8051900
------------------------	--------------------------------------

1 2 3 4 5 6 7 8 9 10 11 A2