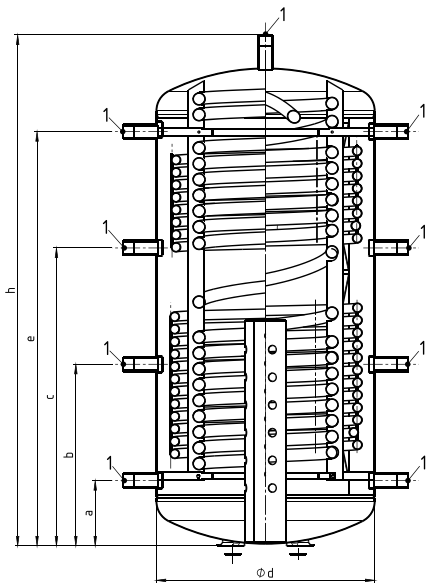
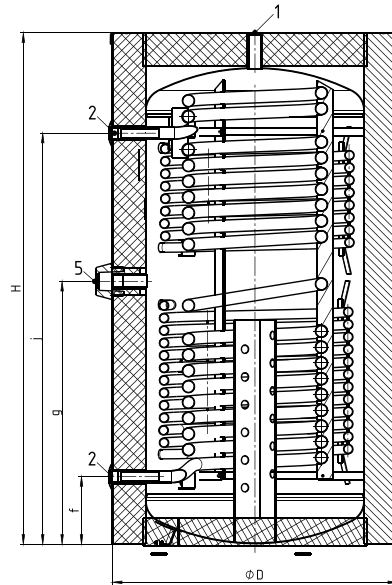


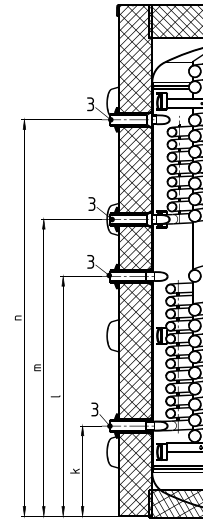
Section view A-A



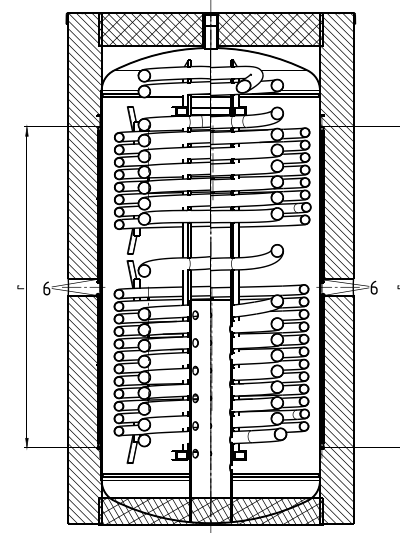
Section view B-B



Section view C-C



Section view E-E



D	1240 mm
H	2150 mm
a	341 mm
b	798 mm
c	1258 mm
d	1000 mm
e	1716 mm
f	356 mm
g	1140 mm
h	2139 mm
j	1706 mm
k	431 mm
l	975 mm
p	173 mm

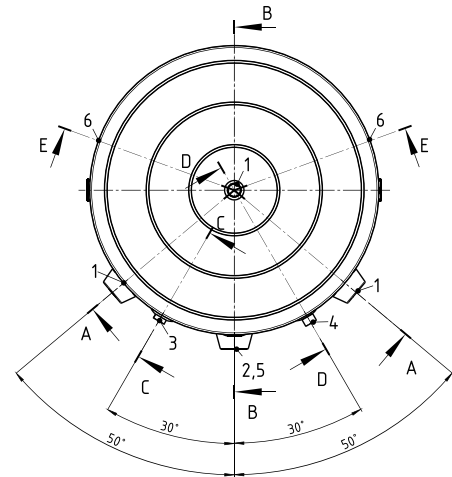
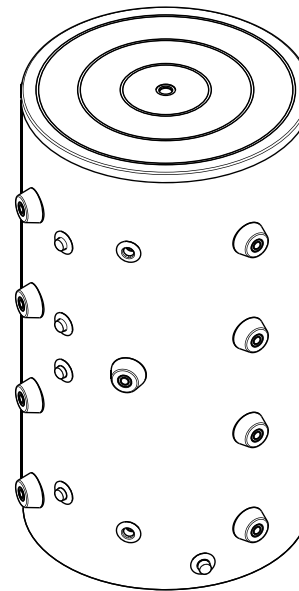
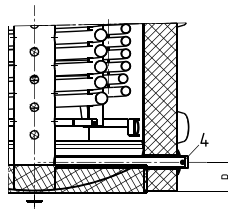
1	G 1 1/2"
2	G 1 1/4"
3	R 1 1/4"
4	R 1 1/4"
5	G 1 1/2"

1	Innengewinde
---	--------------



Thinking solutions.

Section view D-D



Unterliegt nicht dem Änderungsdienst / Not subject to change management  
 Maßstab / Scale: unmaßstäblich unmeasured  
 Format / Size: A4

Revision: 19/06/2026  
 Storatherm Heat Combi HC 1500/1\_C  
 silber – Pdf\_drawing\_7859500