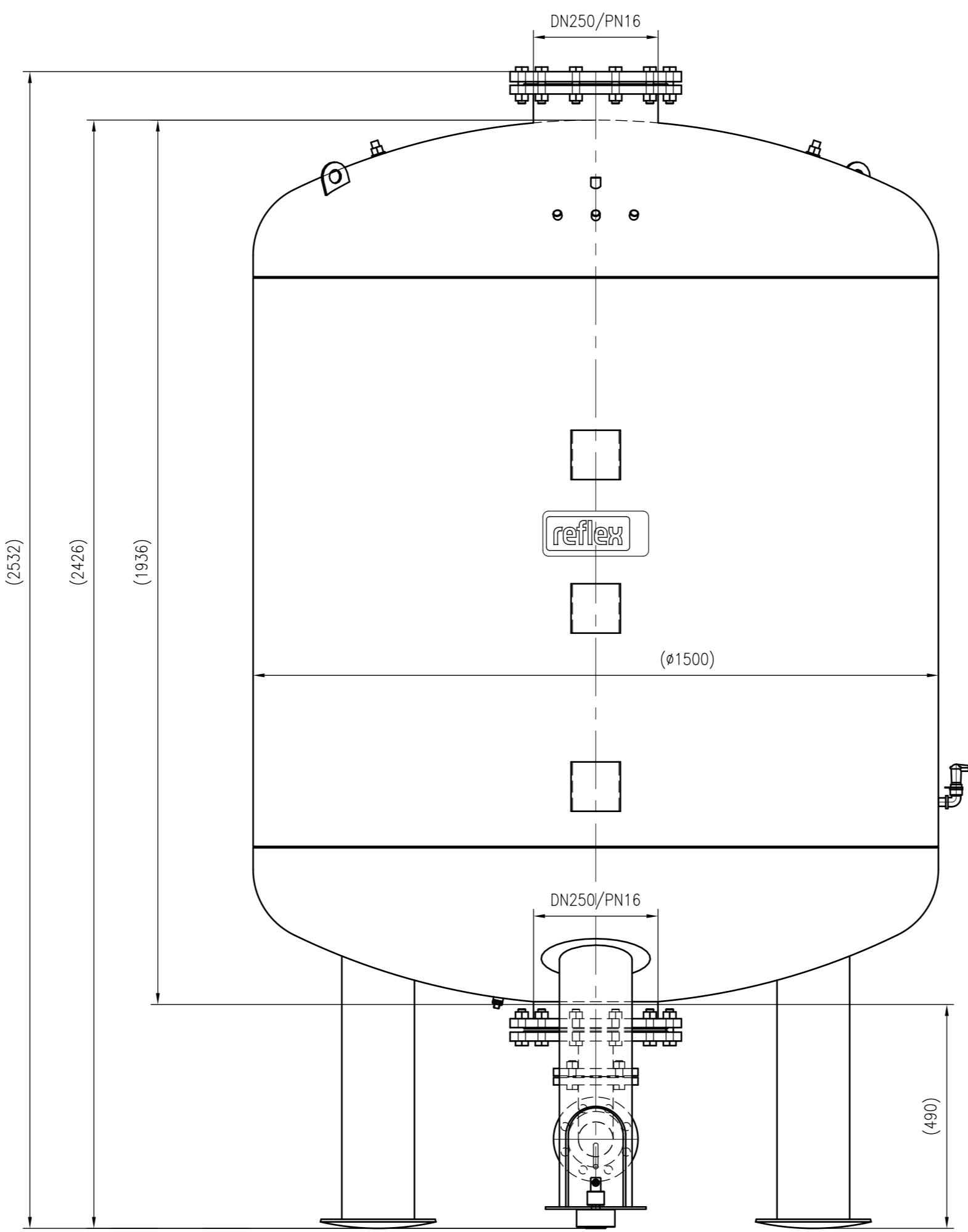
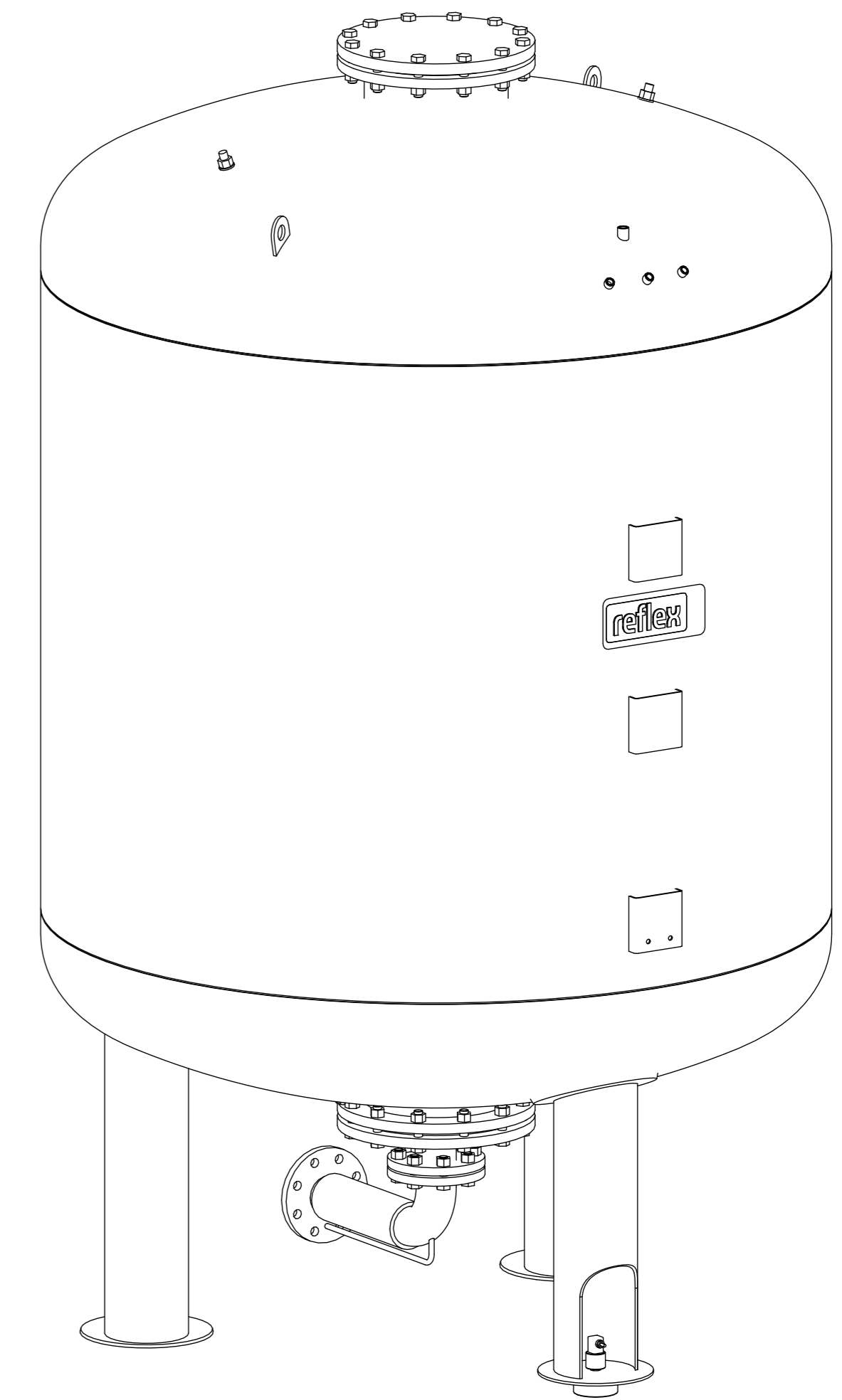


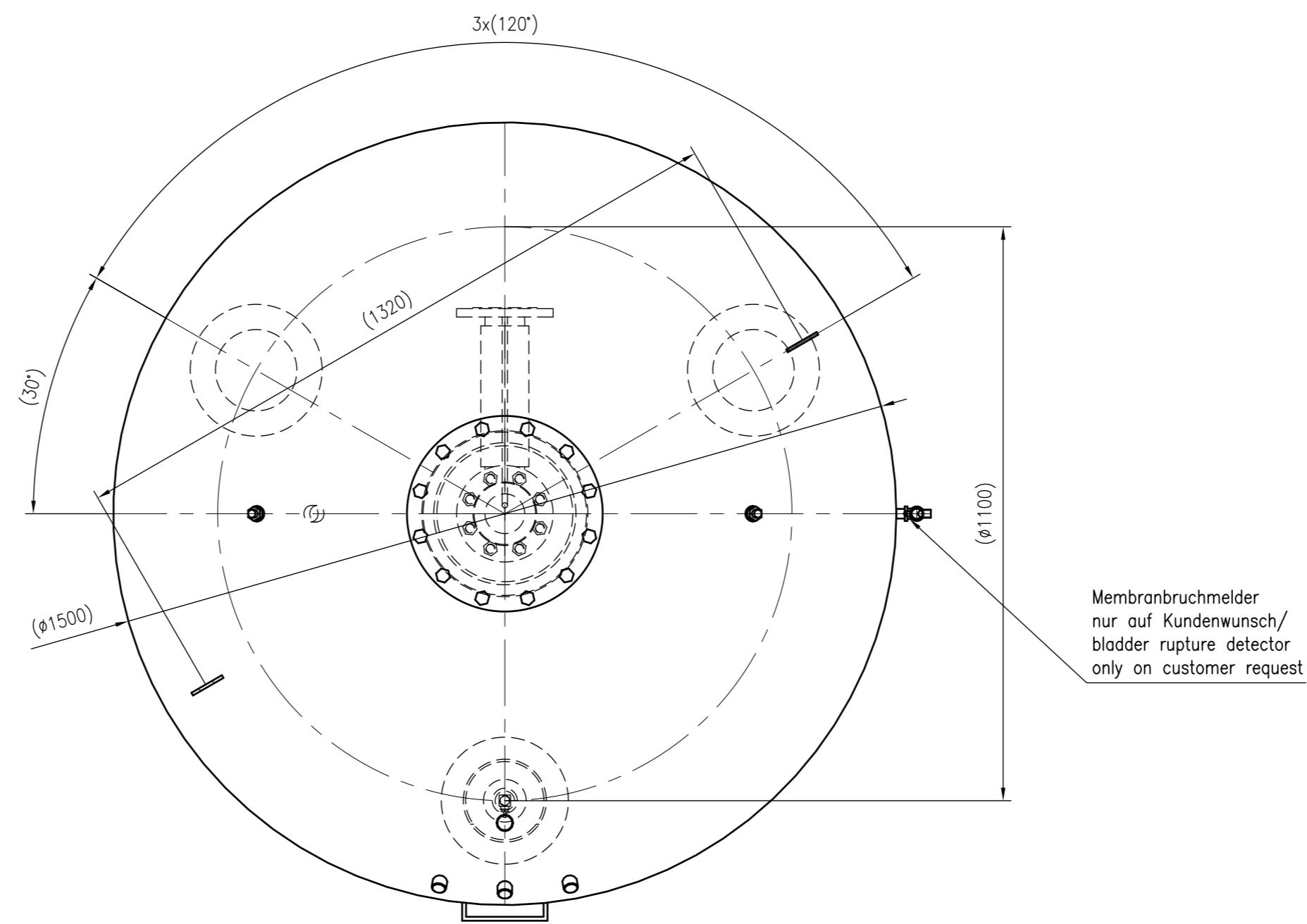
Side view



Front view



Isometric view



Top view



| | | | |
|---|-----------------------------------|-------------------------|---------------------|
| Unterliegt nicht dem Änderungsdienst/ Not subject to change management | | Maßstab/ Scale: 1:10 | Format/ Size: A1 |
| Revision 18.01.2017 | Reflexomat RG3000 10bar – 8651505 | | |