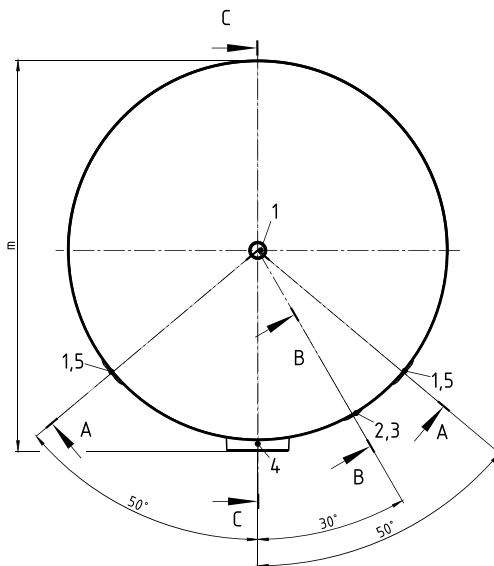
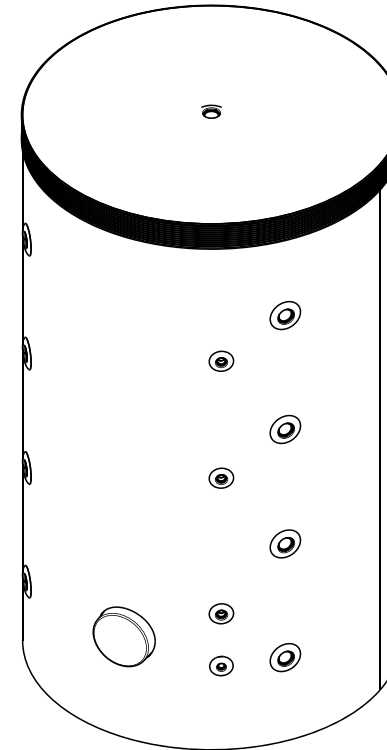
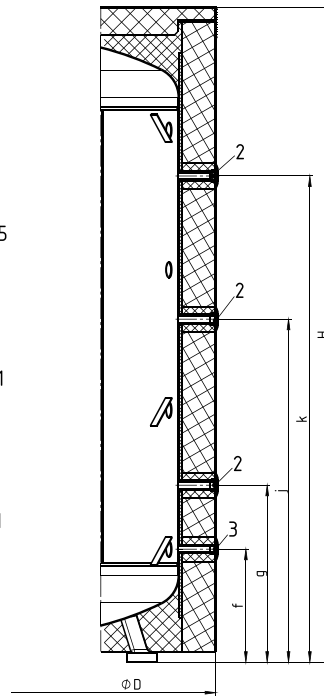
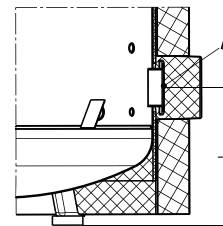


Section view B-B



Section view C-C



| | |
|---|---------|
| D | 1442 mm |
| H | 2173 mm |
| a | 365 mm |
| b | 805 mm |
| c | 1245 mm |
| d | 1200 mm |
| e | 1680 mm |
| f | 365 mm |
| g | 575 mm |
| h | 2142 mm |
| j | 1100 mm |
| k | 1630 mm |
| l | 441 mm |
| m | 1480 mm |

| | |
|---|-----------|
| 1 | Rp 1 1/2" |
| 2 | G 3/4" |
| 3 | G 1/2" |
| 4 | DN110 |
| 5 | Rp 1 1/2" |

| | |
|---|--------------|
| 1 | Innengewinde |
|---|--------------|



Thinking solutions.

| | | |
|--|---|----------------------|
| Unterliegt nicht dem Änderungsdienst / Not subject to change management | Maßstab / Scale: unmaßstäblich unmeasured | Format / Size: A4 |
|--|---|----------------------|

| | |
|------------------------|--|
| Revision 19/06/2026 | Storatherm Heat HF 2000/R_C silber – Pdf_drawing_7842500 |
|------------------------|--|