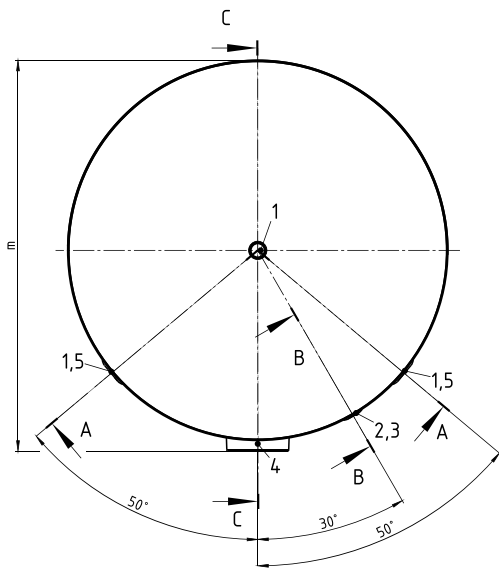
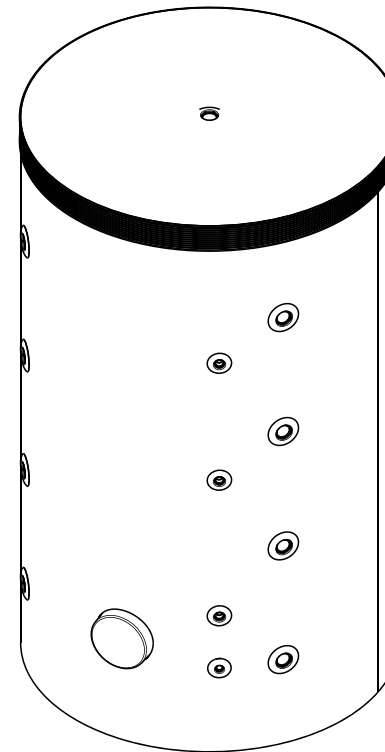
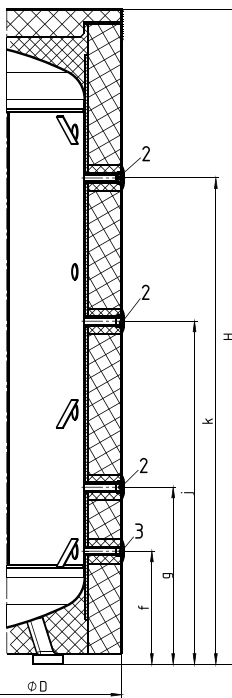
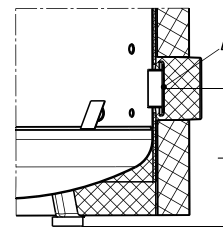


Section view B-B



Section view C-C



|   |         |
|---|---------|
| D | 797 mm  |
| H | 1342 mm |
| a | 225 mm  |
| b | 490 mm  |
| c | 760 mm  |
| d | 597 mm  |
| e | 1033 mm |
| f | 210 mm  |
| g | 380 mm  |
| h | 1320 mm |
| j | 670 mm  |
| k | 960 mm  |

|   |          |
|---|----------|
| 1 | G 1 1/2" |
| 2 | G 3/4"   |
| 3 | G 1/2"   |
| 5 | G 1 1/2" |

|   |              |
|---|--------------|
| 1 | Innengewinde |
|---|--------------|



Thinking solutions.

|  |   |                      |
|--|---|----------------------|
| Unterliegt nicht dem Änderungsdienst /<br>Not subject to change management | Maßstab /<br>Scale: unmaßstäblich<br>unmeasured | Format /<br>Size: A4 |
|--|---|----------------------|

|                        |   |
|------------------------|---|
| Revision<br>19/06/2026 | Storatherm Heat HF 300_C silber – Pdf_drawing_7839100 |
|------------------------|---|