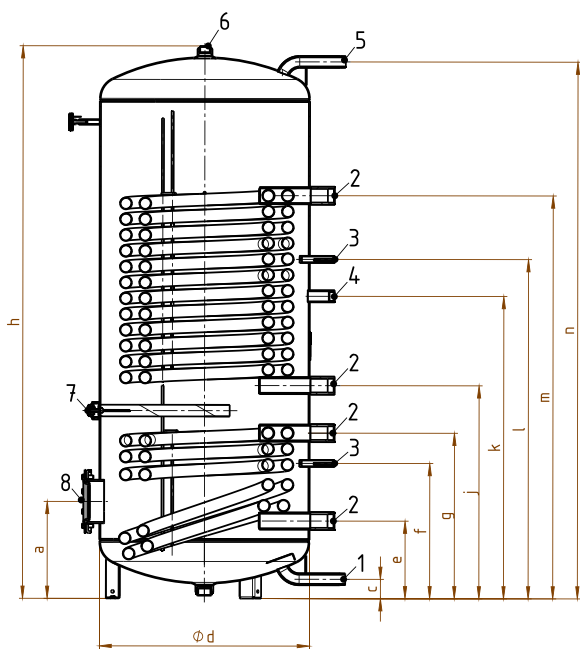
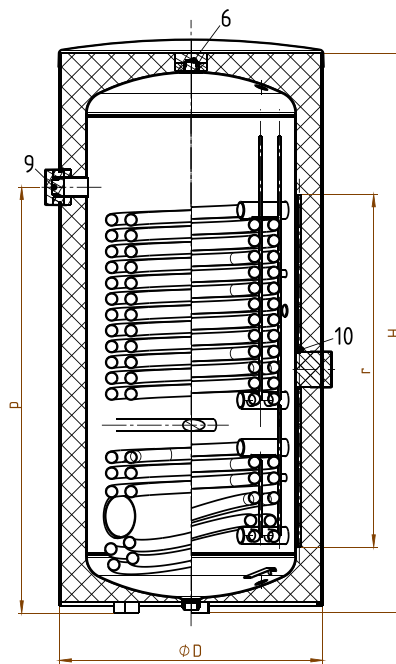


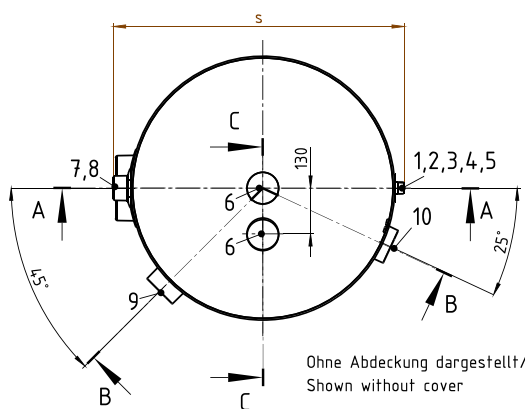
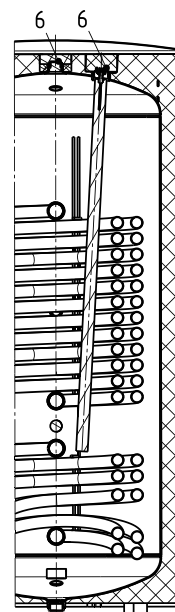
Section view A-A



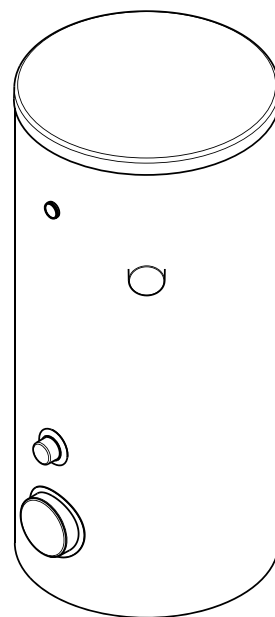
Section view B-B



Section view C-C



Ohne Abdeckung dargestellt/
Shown without cover



| | |
|---|---------|
| D | 650 mm |
| H | 1794 mm |
| a | 305 mm |
| c | 90 mm |
| d | 500 mm |
| f | 500 mm |
| h | 1756 mm |
| j | 255 mm |
| k | 625 mm |
| l | 1200 mm |
| m | 990 mm |
| n | 1728 mm |
| p | 1095 mm |
| s | 717 mm |

| | |
|---|----------|
| 1 | R 1" |
| 2 | G 1 1/4" |
| 3 | 16 mm |
| 4 | G 3/4" |
| 5 | R 1" |
| 8 | DN110 |
| 9 | G 1 1/2" |



Thinking solutions.

| | | | |
|--|---|---|----------------------|
| Unterliegt nicht dem Änderungsdienst / Not subject to change management | | Maßstab / Scale: unmaßstäblich unmeasured | Format / Size: A4 |
| Revision 19/06/2026 | Storatherm Aqua Heat Pump AH 300/1S_B weiß – Pdf_drawing_7944000 | | |