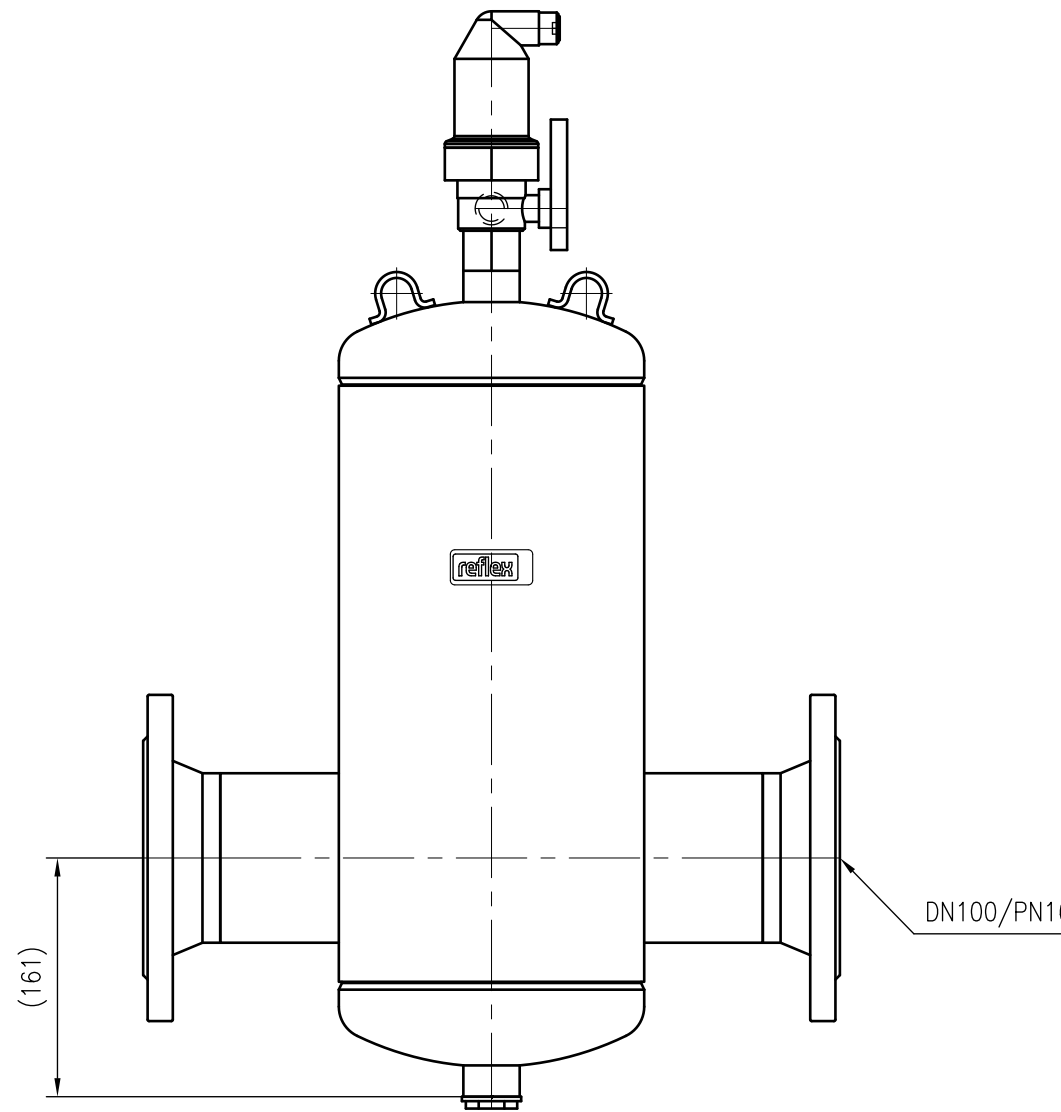
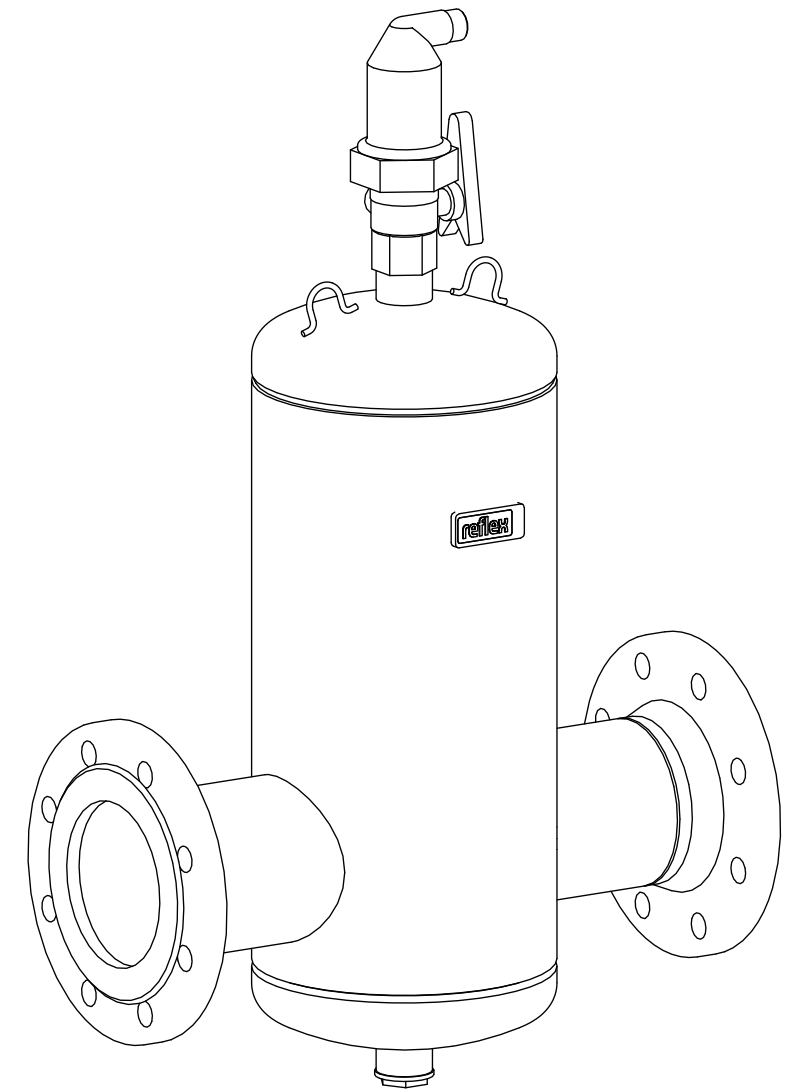


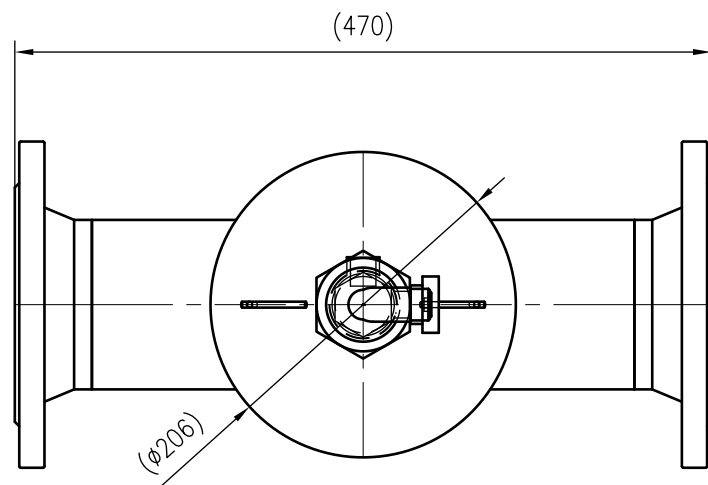
Side view



Front view



Isometric view



Top view



|   |                       |                        |                     |
|---|-----------------------|------------------------|---------------------|
| Unterliegt nicht dem Änderungsdienst/<br>Not subject to change management |                       | Maßstab/<br>Scale: 1:5 | Format/<br>Size: A3 |
| Revision<br>20.07.2021  | Exvoid A100 – 8251330 |                        |                     |

A3