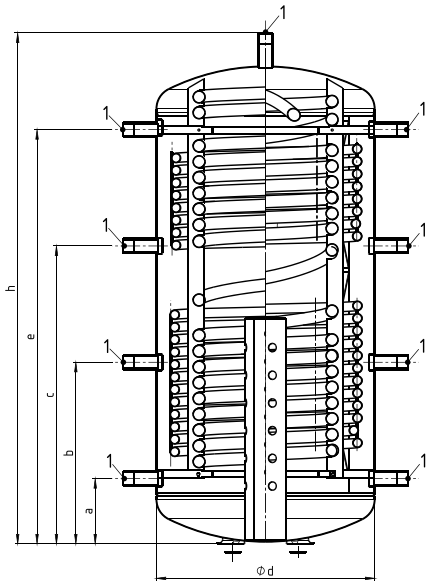
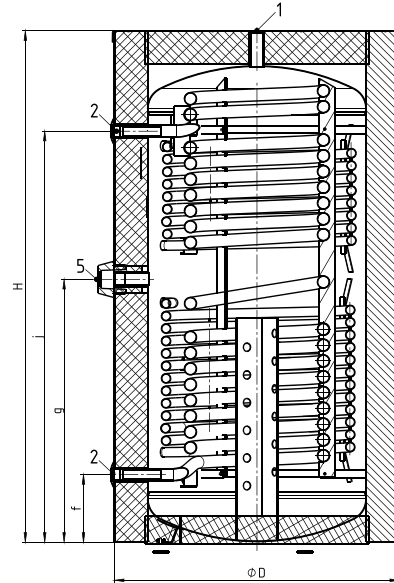


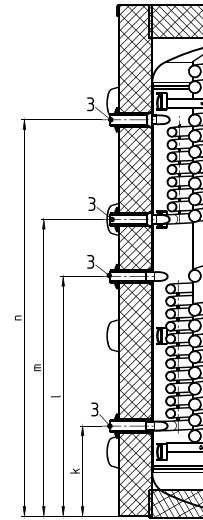
Section view A-A



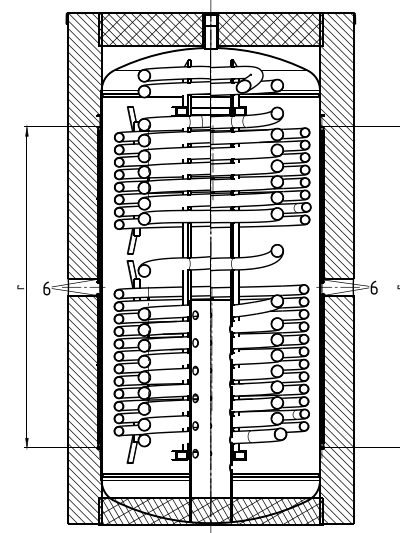
Section view B-B



Section view C-C



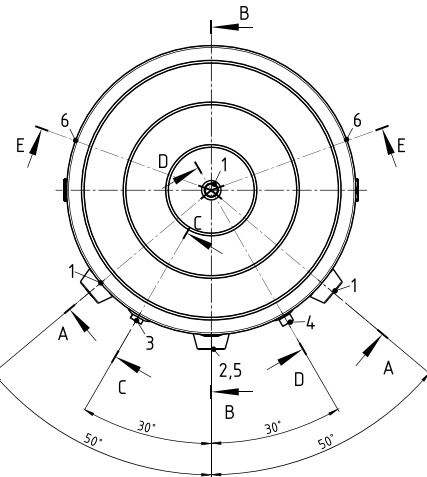
Section view E-E



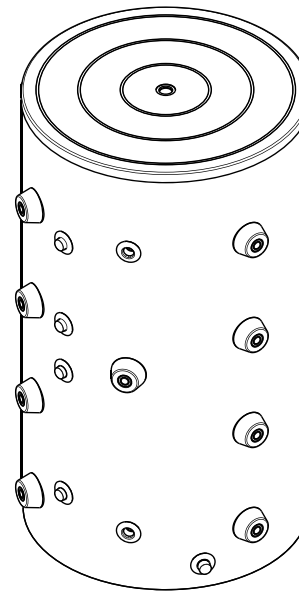
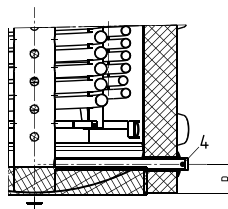
D	750 mm
H	1922 mm
a	235 mm
b	713 mm
c	1193 mm
d	597 mm
e	1667 mm
f	247 mm
g	900 mm
h	1918 mm
j	1662 mm
k	295 mm
l	795 mm
p	110 mm
r	1500 mm

1	G 1 1/2"
2	G 1"
3	G 1"
4	G 1"
5	G 1 1/2"
6	16 mm

1	Innengewinde
---	--------------



Section view D-D



Thinking solutions.

Unterliegt nicht dem Änderungsdienst / Not subject to change management		Maßstab / Scale: unmaßstäblich unmeasured	Format / Size: A4
Revision 19/06/2026	Storatherm Heat Combi HC 500/1_B silber – Pdf_drawing_7944200		