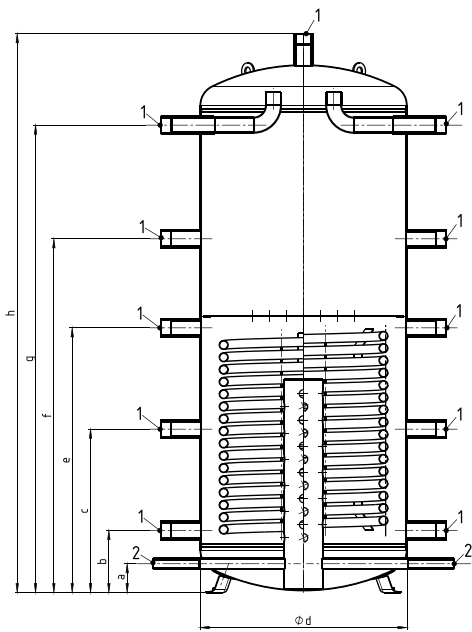
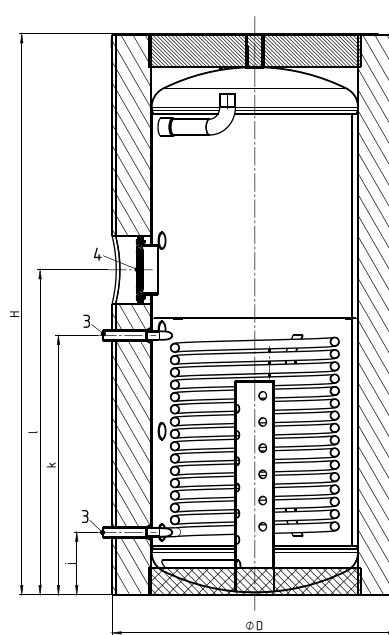


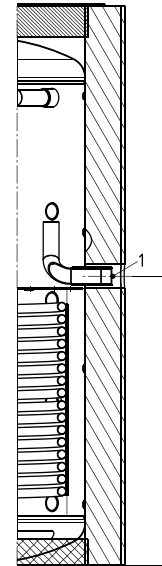
Section view A-A



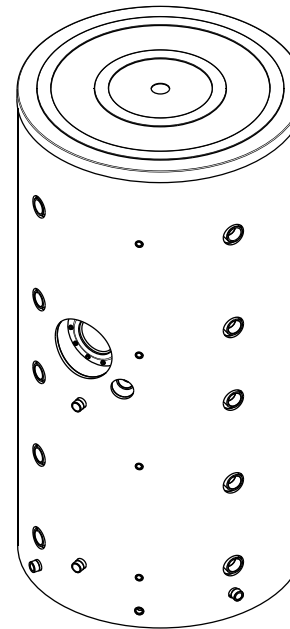
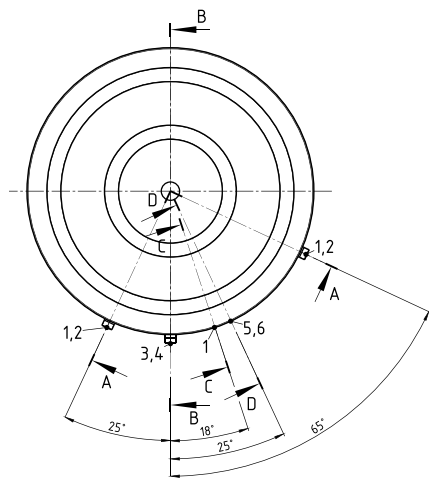
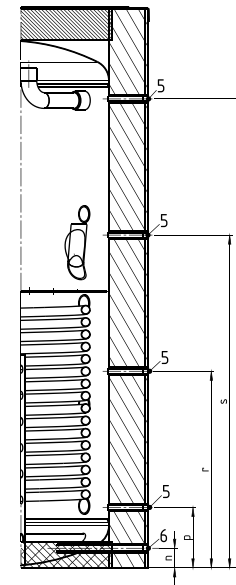
Section view B-B



Section view C-C



Section view D-D



D	1090 mm
H	2135 mm
a	110 mm
b	237 mm
c	624 mm
d	790 mm
e	1011 mm
f	1351 mm
g	1785 mm
h	2134 mm
j	237 mm
k	989 mm
l	1240 mm
m	1103 mm
n	75 mm
p	231 mm
r	751 mm
s	1271 mm
t	1791 mm

1	Rp 2"
2	G 1 1/4"
3	R 1 1/4"
4	DN110
5	Rp 1/2"
6	Rp 3/4"

1	Innengewinde
---	--------------



Thinking solutions.

Unterliegt nicht dem Änderungsdienst /
Not subject to change management

Maßstab /
Scale: unmaßstäblich
unmeasured

Format /
Size: A4

Revision
19/06/2026

Storaflow Heat SH 1000 H/F/1_C grau – Pdf_drawing_7938200