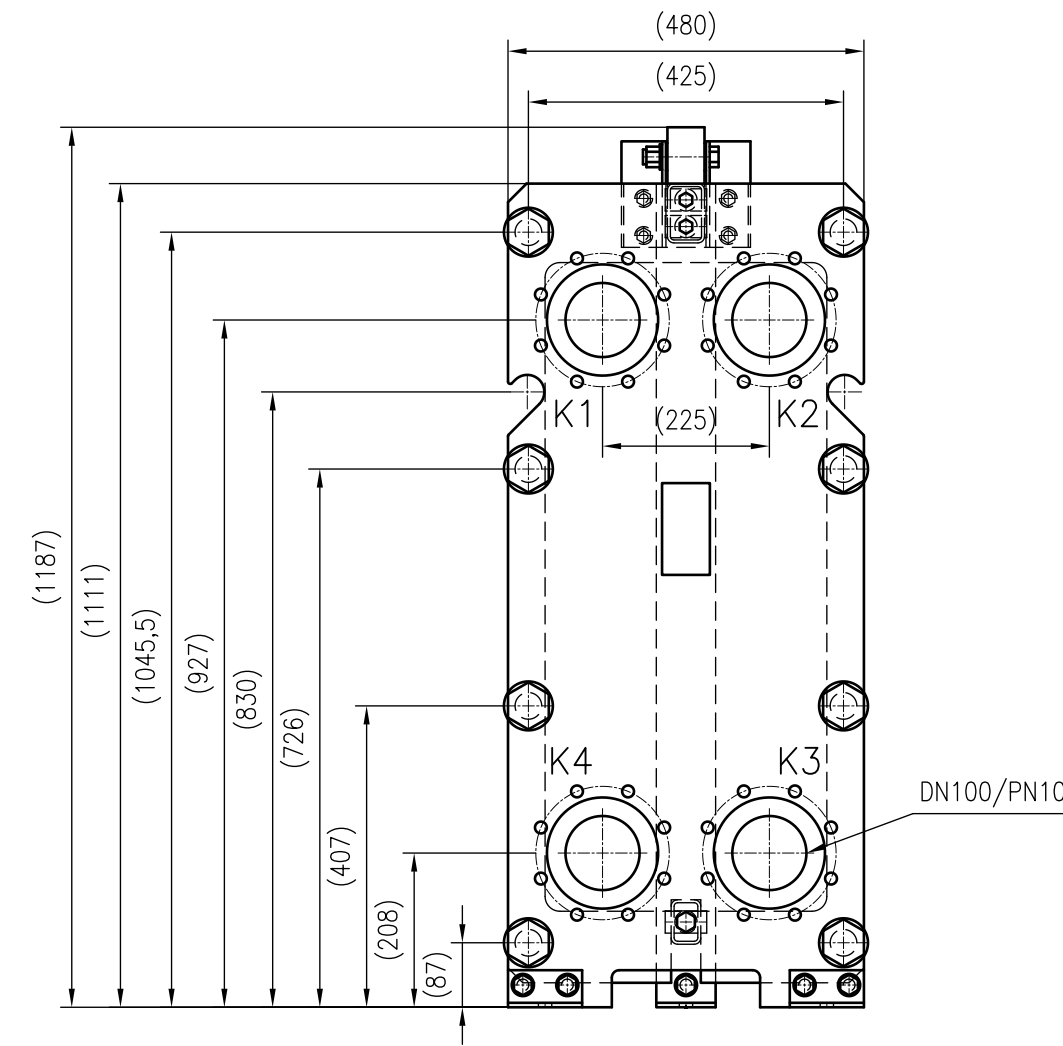
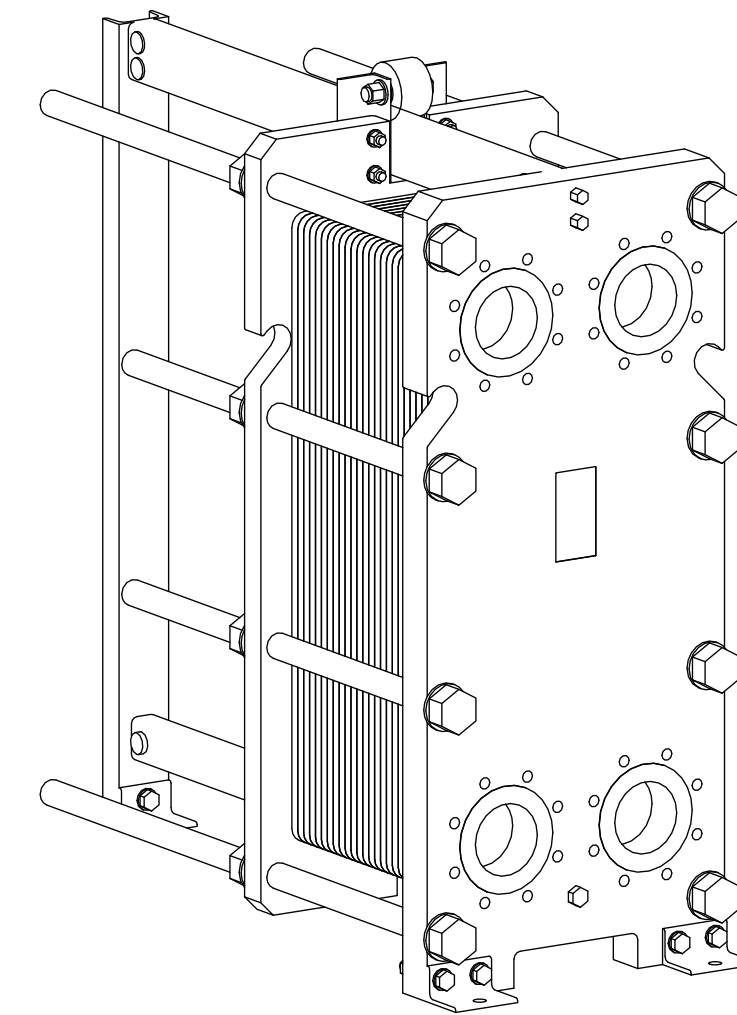


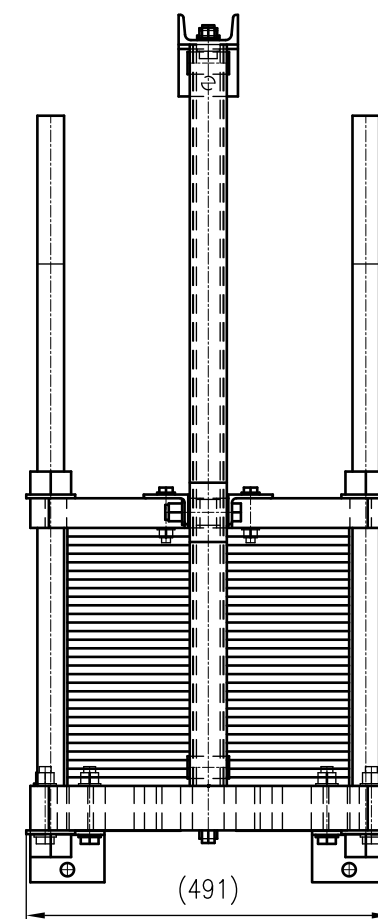
Side view



Front view



Isometric view



Top view



|   |                                |                     |
|---|--------------------------------|---------------------|
| Unterliegt nicht dem Änderungsdienst/<br>Not subject to change management | Maßstab/<br>Scale: 1:10        | Format/<br>Size: A2 |
| Revision<br>13.01.2020  | Longtherm RMG-21-120 - 8120200 |                     |