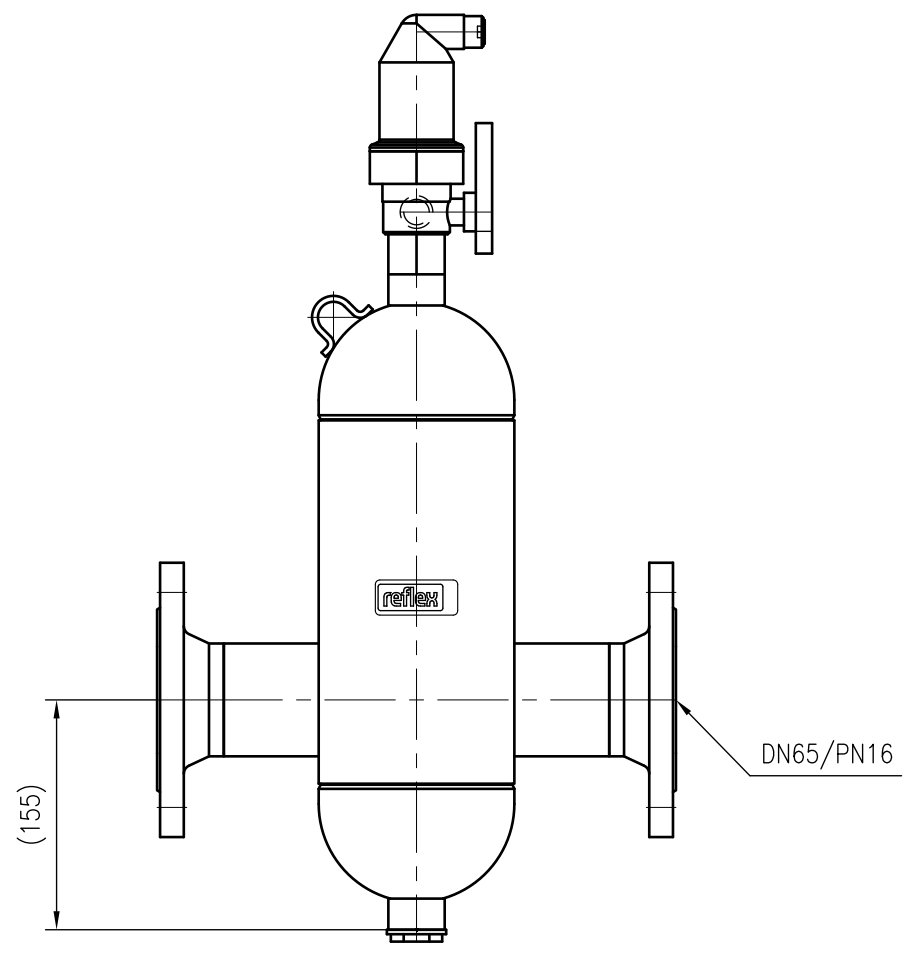
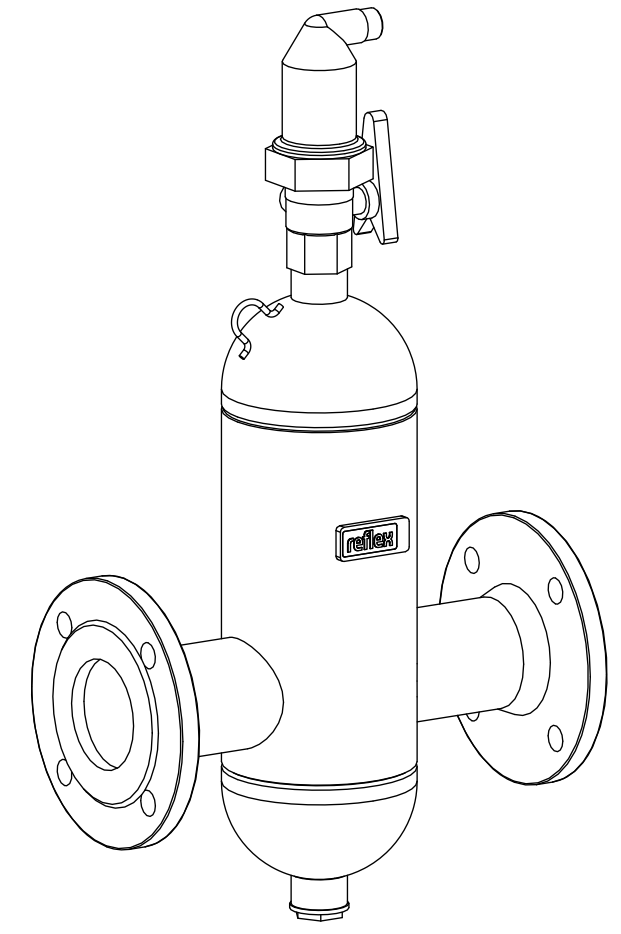


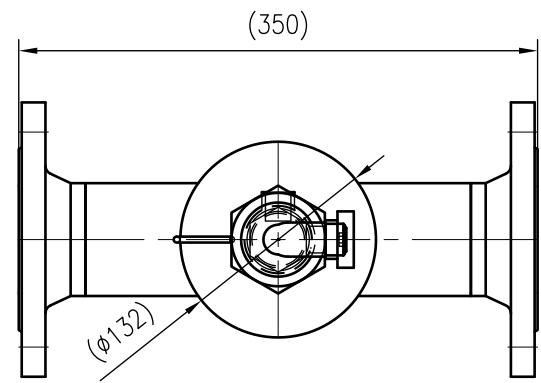
Side view



Front view



Isometric view



Top view



| | | | |
|---|----------------------|------------------------|---------------------|
| Unterliegt nicht dem Änderungsdienst/ Not subject to change management | | Maßstab/ Scale: 1:5 | Format/ Size: A3 |
| Revision 23.04.2024 | Exvoid A65 – 8251310 | | |