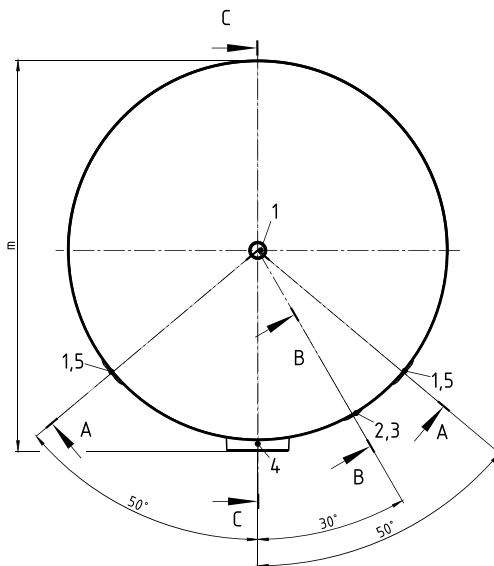
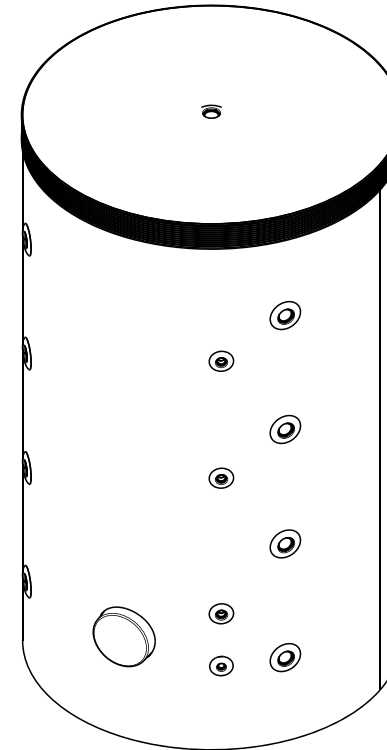
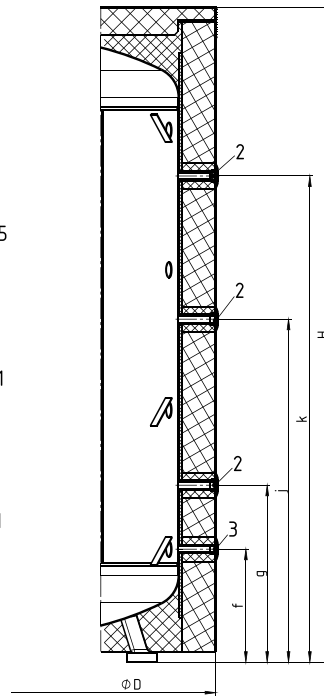
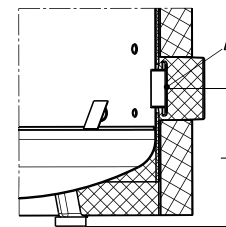


Section view B-B



Section view C-C



a	365 mm
b	805 mm
c	1245 mm
d	1200 mm
e	1680 mm
f	365 mm
g	575 mm
h	2142 mm
j	1100 mm
k	1630 mm
l	441 mm
m	1480 mm

1	Rp 1 1/2"
2	G 3/4"
3	G 1/2"
4	DN110
5	Rp 1 1/2"

1	Innengewinde
---	--------------



Thinking solutions.

Unterliegt nicht dem Änderungsdienst / Not subject to change management	Maßstab / Scale: unmaßstäblich unmeasured	Format / Size: A4
--	---	----------------------

Revision 19/06/2026	Storatherm Heat H 2000/R grau – Pdf_drawing_7784600
------------------------	---