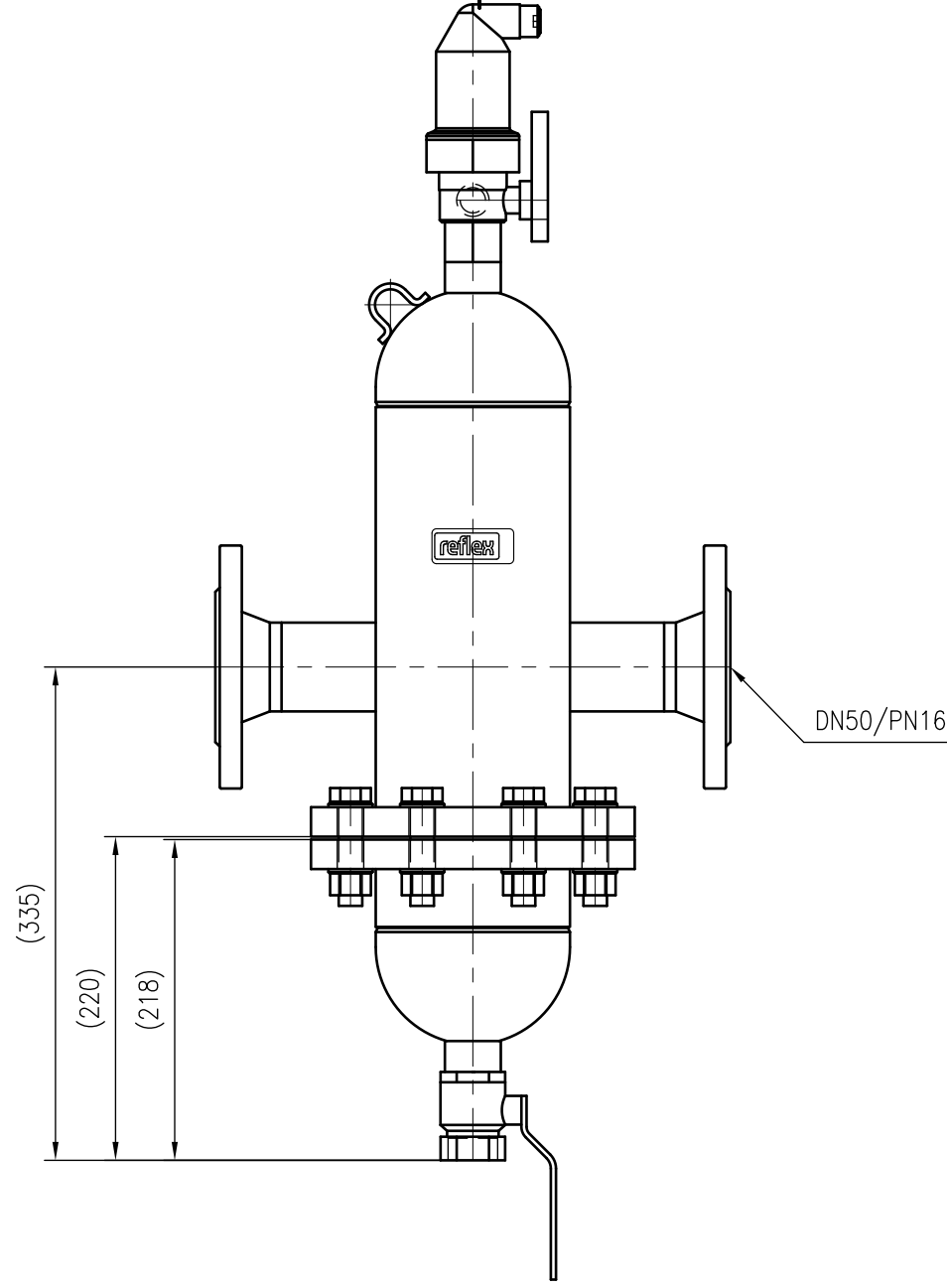
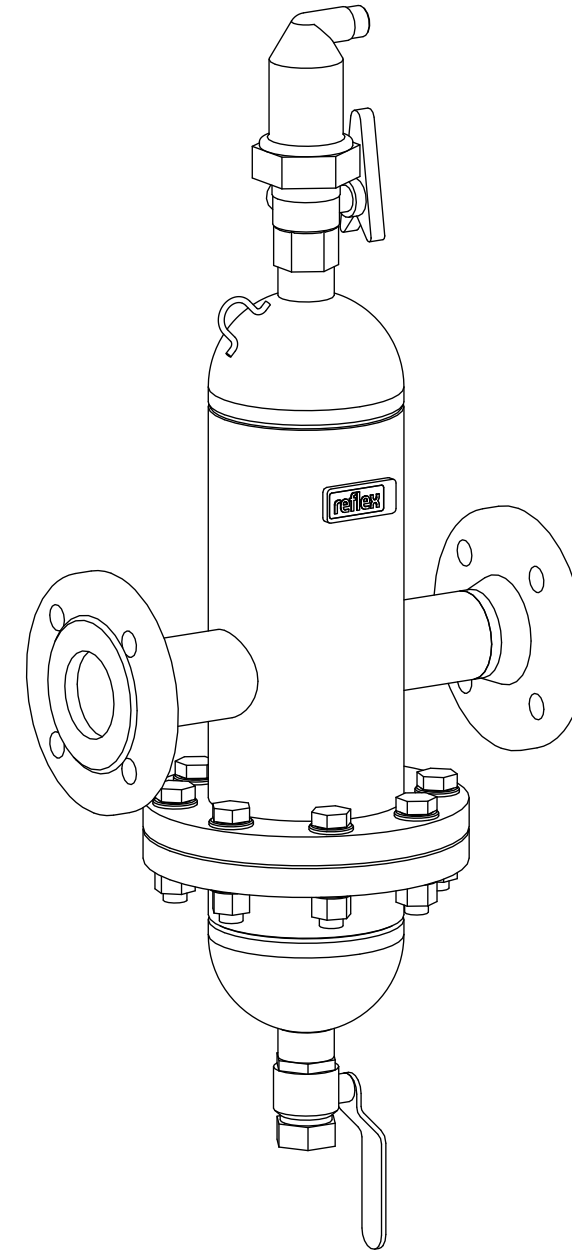


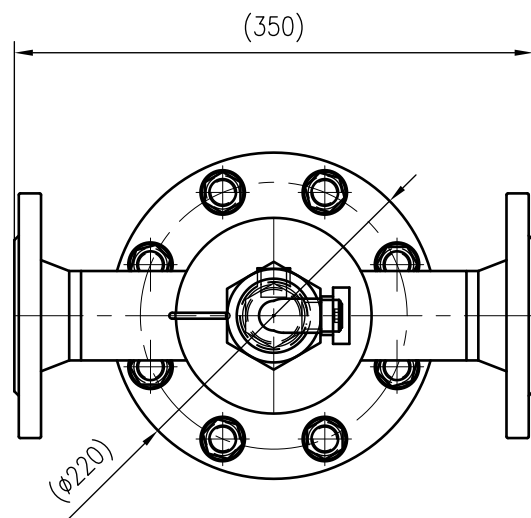
Side view



Front view



Isometric view



Top view



| | | | |
|---|------------------------|------------------------|---------------------|
| Unterliegt nicht dem Änderungsdienst/ Not subject to change management | | Maßstab/ Scale: 1:5 | Format/ Size: A3 |
| Revision 22.07.2021 | Extwin TW50R – 8253400 | | |