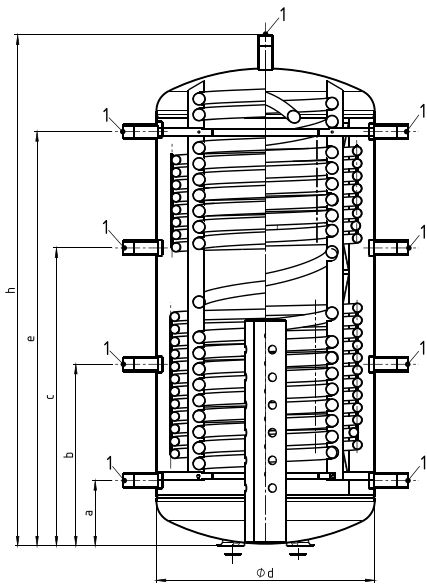
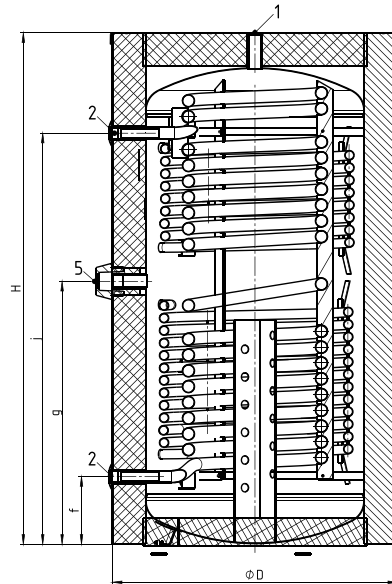


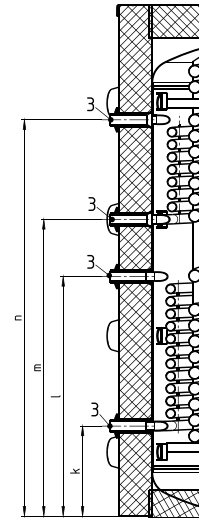
Section view A-A



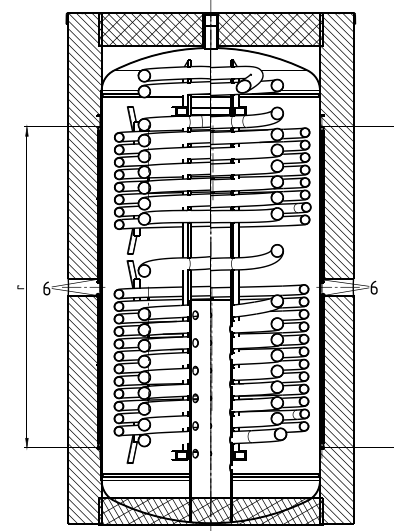
Section view B-B



Section view C-C



Section view E-E



| | |
|---|---------|
| D | 1030 mm |
| H | 2142 mm |
| a | 310 mm |
| b | 768 mm |
| c | 1228 mm |
| d | 790 mm |
| e | 1681 mm |
| f | 249 mm |
| g | 1068 mm |
| h | 2135 mm |
| j | 1774 mm |
| k | 330 mm |
| l | 870 mm |
| m | 1276 mm |
| n | 1726 mm |
| p | 110 mm |

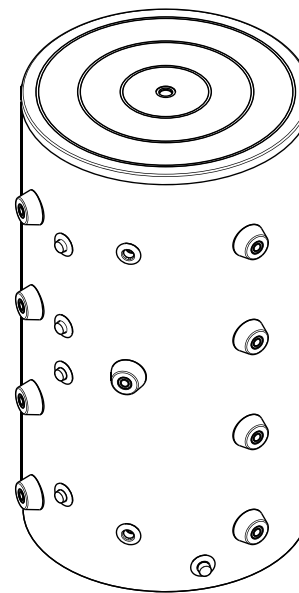
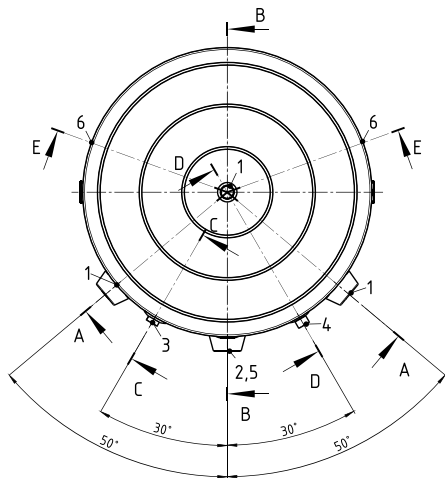
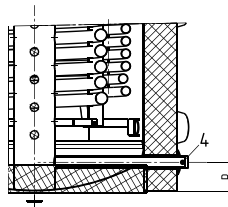
| | |
|---|----------|
| 1 | G 1 1/2" |
| 2 | G 1 1/4" |
| 3 | R 1 1/4" |
| 4 | R 1 1/4" |
| 5 | G 1 1/2" |

| | |
|---|--------------|
| 1 | Innengewinde |
|---|--------------|



Thinking solutions.

Section view D-D



Unterliegt nicht dem Änderungsdienst / Not subject to change management
 Maßstab / Scale: unmaßstäblich unmeasured
 Format / Size: A4

Revision: 19/06/2026
 Storatherm Heat Combi HC 1000/2_C
 silber – Pdf_drawing_7859800