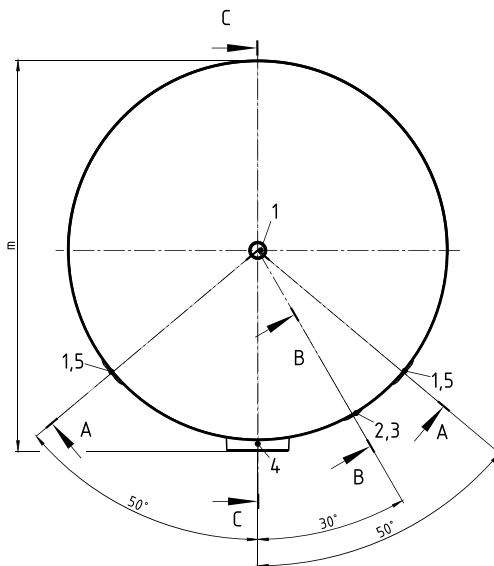
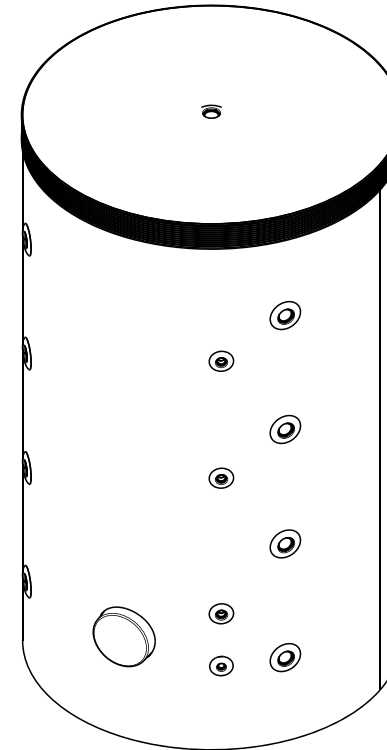
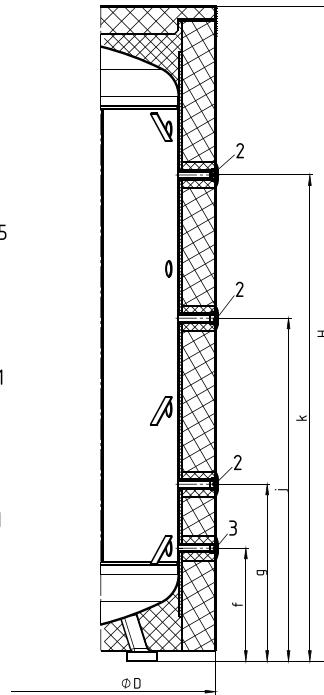
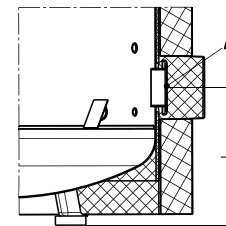


Section view B-B



Section view C-C



a	495 mm
b	1090 mm
c	1577 mm
d	1500 mm
e	2171 mm
f	495 mm
g	1090 mm
h	2676 mm
j	1577 mm
k	2171 mm
l	551 mm

1	Rp 2"
2	Rp 1/2"
3	Rp 3/4"
4	DN110
5	Rp 2"

1	Innengewinde
---	--------------



Thinking solutions.

Unterliegt nicht dem Änderungsdienst / Not subject to change management	Maßstab / Scale: unmaßstäblich unmeasured	Format / Size: A4
--	---	----------------------

Revision 19/06/2026	Storatherm Heat H 4000/R grau – Pdf_drawing_7788500
------------------------	---