

# Hot water storage tanks

## Storatherm Aqua Solar A hot water storage tank with two heating coils



AF 200/2\_A – 500/2\_A



AF 200/2 – 3,000/2

### Technical Features

- upright storage tank with additional heating coils to make use of solar energy
- enamelling according to DIN 4753-3 T3
- with magnesium anode, thermometer and mounts, maintenance opening
- ≤ 2.000 L insulation factory fitted
- max. permissible operating overpressure:
  - heating water 16 bar
  - potable water 10 bar
- max. permissible operating temperature:
  - heating water 110 °C
  - potable water 95 °C

### Type overview

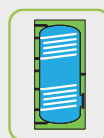


#### AF.../2 (≤ 500 litres)

hot water storage tank with two heating coils

#### insulation

rECOflex® insulation with foil jacket, not removable



#### AF.../2 (> 500 litres)

hot water storage tank with two heating coils

#### insulation

up to 1,000 l: 100 mm fleece insulation with foil jacket, removable  
 from 1,500 l: 120 mm fleece insulation with foil jacket, removable

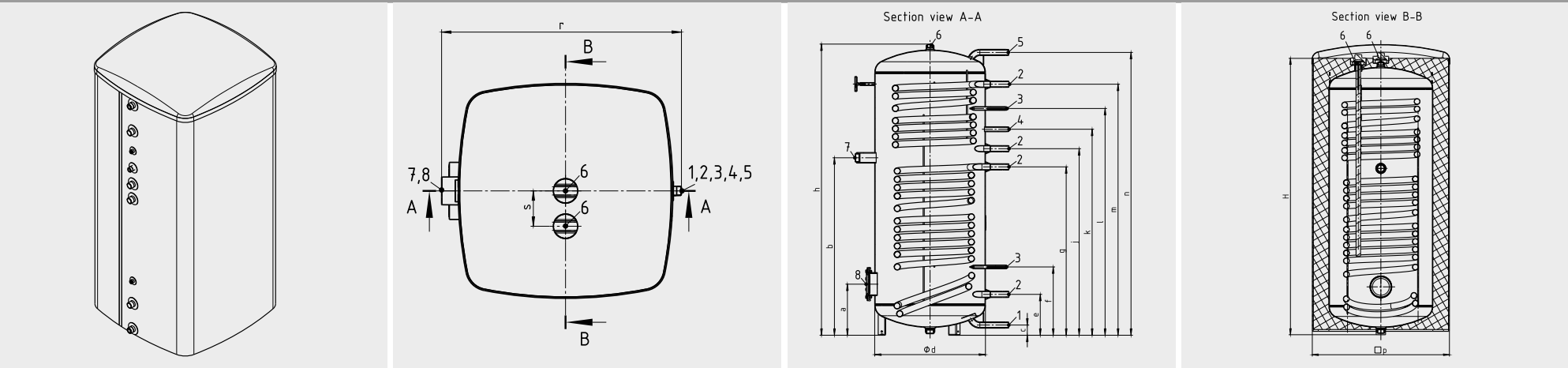
## Storatherm Aqua Solar A hot water storage tank with two heating coils

Type	Art. No.		EEC <sup>1</sup>	Volume [l]	Nominal content HE solar [l]	Nenninhalt HE above [l]	Cont. output top [l/h]	Cont. output solar [l/h]	Cont. output top [kW]	Cont. output solar [kW]	NL coefficient	NL coefficient solar	Heating surface [m <sup>2</sup> ]	Heating surface solar [m <sup>2</sup> ]	Max. Installation- length EEHR [mm]	Max. Installation- length EEHR [mm]	Tilted dimension [mm]	Weight [kg]
	silver	white																
Storatherm Aqua Solar AF .../2_A rECOflex® insulation with foil jacket, not removable																		
AF 300/2_A	–	7355700	A	288	10	6	630	1170	26	48	2,2	8,4	0,82	1,42	647	462	1572	100,00
AF 400/2_A	–	7355800	A	365	12	7	740	1395	31	57	3,4	15,2	0,99	1,74	648	474	1833	124,00
AF 500/2_A	–	7355900	A	453	13	9	970	1590	40	65	5,9	19,1	1,27	1,88	666	495	2121	146,00
Storatherm Aqua Solar AF .../2 rECOflex® insulation with foil jacket, not removable																		
AF 200/2_B	7896700	7862100	B	186	6	5	586	693	24	28	1,4	5,4	0,68	0,88	503	342	1531	84,00
AF 200/2_C	–	7848800	C	186	6	5	550	760	24	31	1,1	4,2	0,68	0,88	473	314	1517	66,90
AF 300/2S_B	7862500	7862200	B	285	10	5	624	1145	25	46	2,1	10,9	0,73	1,41	561	421	1883	123,00
AF 300/2S_C	–	7849000	C	285	10	5	630	1170	26	48	2,2	8,4	0,74	1,42	531	395	1875	98,50
AF 300/2_B	–	7849800	B	288	10	6	668	1095	27	45	2,7	11,8	0,82	1,41	629	466	1452	116,70
AF 400/2_C	–	7849100	C	365	12	7	740	1395	31	57	3,4	15,2	0,99	1,75	626	474	1719	117,00
AF 400/2_B	7862600	7862300	B	366	12	7	755	1372	31	55	2,9	16,4	0,98	1,74	659	499	1740	149,00
AF 500/2_B	7862700	7862400	B	453	13	9	916	1304	37	53	5,5	19,7	1,26	1,88	659	500	2043	179,00
AF 500/2_C	–	7849200	C	453	13	9	970	1590	40	65	5,9	19,1	1,27	1,88	626	475	2026	134,20
Storatherm Aqua Solar AF .../2 fleece insulation with foil jacket																		
AF 750/2_C	7838500	7849300	C	727	13	8	815	1460	33	60	6,2	21,0	1,16	1,92	822	606	2114	222,00
AF 1000/2_C	7838600	7849400	C	947	17	8	780	1870	32	76	7,1	26,0	1,12	2,45	–	–	2159	283,00
AF 1500/2_C	–	7849500	C	1407	30	16	1268	2369	52	97	18,0	36,0	1,89	3,74	–	889	2365	495,00
AF 2000/2_C	–	7849600	C	1932	34	19	1511	2953	59	108	21,0	39,0	2,27	4,12	–	1089	2351	670,00
AF 3000/2	–	7849700	–	2686	56	28	2126	4206	87	172	32,0	65,0	3,41	6,80	–	1087	3020	820,00

<sup>1</sup> Energy efficiency class

# Storatherm Aqua Solar A hot water storage tank with two heating coils

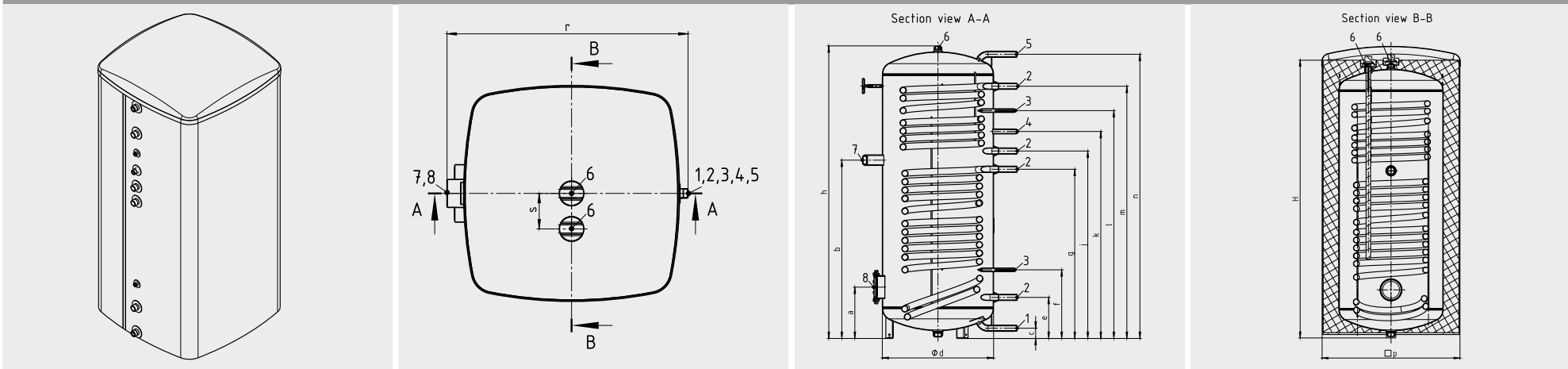
## Geometric data



Type	Depth r [mm]	Diameter without insulation d [mm]	Height connection											Height without insulation h [mm]	Max. height H [mm]	Width p [mm]
			EEHR b [mm]	EFHR 1 a [mm]	HRL j [mm]	HVL m [mm]	SRL e [mm]	SVL g [mm]	circulation k [mm]	cold water c [mm]	hot water n [mm]	sensor 1 l [mm]	sensor 2 f [mm]			
Storatherm Aqua Solar AF .../2_A rECOflex® insulation with foil jacket, not removable																
AF 300/2_A	844	597	756	276	791	1049	221	716	626	55	1229	921	307	1266	1364	750
AF 400/2_A	883	597	958	276	1007	1355	221	908	1112	55	1526	1224	369	1563	1591	790
AF 500/2_A	884	597	1041	276	1114	1604	221	966	1265	55	1856	1410	389	1893	1991	790

# Storatherm Aqua Solar A hot water storage tank with two heating coils

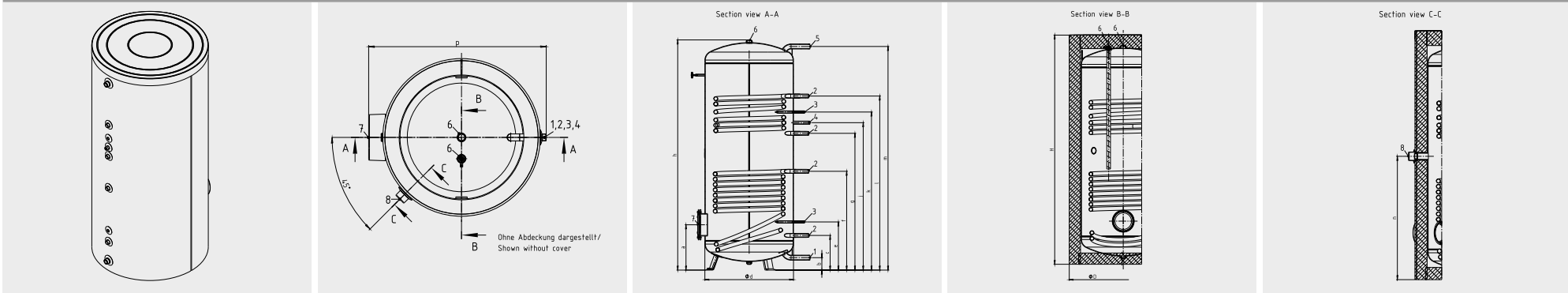
## Geometric data



Type	Circulation connection 4	Cold water connection 1	Connection flange EFHR 8	Connection heating surface(s) 2	Connection hot water 5	Connection socket EEHR 7	Connection temperature sensor 3
Storatherm Aqua Solar AF .../2_A rECOflex® insulation with foil jacket, not removable							
AF 300/2_A	R ¾"	R 1"	DN110	R 1"	R 1"	G 1 ½"	16 mm
AF 400/2_A	R ¾"	R 1"	DN110	R 1"	R 1"	G 1 ½"	16 mm
AF 500/2_A	R ¾"	R 1"	DN110	R 1"	R 1"	G 1 ½"	16 mm

# Storatherm Aqua Solar A hot water storage tank with two heating coils

## Geometric data



Type	Depth p [mm]	Diameter D [mm]	Diameter without insulation d [mm]	Height connection												Height without insulation h [mm]	Max. height H [mm]
				EEHR n [mm]	EFHR 1 a [mm]	HRL g [mm]	HVL l [mm]	SRL c [mm]	SVL f [mm]	circulation j [mm]	cold water b [mm]	hot water m [mm]	sensor 1 k [mm]	sensor 2 e [mm]			

Storatherm Aqua Solar AF .../2 rECOflex® insulation with foil jacket, not removable

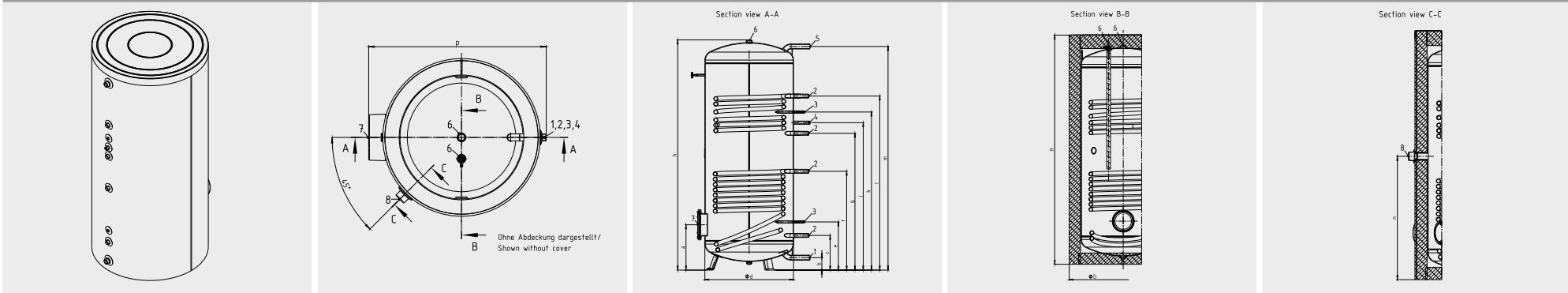
AF 200/2_B	664	600	450	739	249	789	1149	194	689	902	55	1373	1014	283	1406	1435
AF 200/2_C	607	540	450	739	249	789	1149	194	689	902	55	1373	1014	283	1406	1435
AF 300/2S_B	719	650	500	1015	325	1065	1425	255	965	1180	90	1728	1290	405	1756	1794
AF 300/2S_C	671	600	500	1015	325	1065	1425	255	965	1180	90	1728	1290	405	1756	1794
AF 300/2_B	767	700	597	756	276	791	1049	221	715	626	55	1229	921	307	1266	1294
AF 400/2_C	769	700	597	958	276	1007	1355	221	909	1112	55	1526	1224	369	1563	1591
AF 400/2_B	820	750	597	958	276	1007	1355	221	908	1112	55	1526	1224	369	1563	1591
AF 500/2_B	750	750	597	1041	276	1115	1605	221	966	1264	55	1856	1412	381	1893	1921
AF 500/2_C	769	700	597	1041	276	1115	1605	221	965	1265	55	1856	1412	381	1893	1921

## Storatherm Aqua Solar A hot water storage tank with two heating coils

Type	Depth	Diameter	Diameter without insulation	Height connection											Height without insulation	Max. height
	p [mm]	D [mm]	d [mm]	EEHR n [mm]	EFHR 1 a [mm]	HRL g [mm]	HVL l [mm]	SRL c [mm]	SVL f [mm]	circulation j [mm]	cold water b [mm]	hot water m [mm]	sensor 1 k [mm]	sensor 2 e [mm]	h [mm]	H [mm]
Storatherm Aqua Solar AF .../2 fleece insulation with foil jacket																
AF 750/2_C	1083	960	750	1009	383	1156	1471	293	835	1246	105	1890	1336	407	1932	2036
AF 1000/2_C	1157	1050	850	1023	387	1153	1423	297	884	1243	106	1905	1333	411	1962	2063
AF 1500/2_C	1290	1240	1000	–	442	1229	1629	333	1065	1746	105	2049	1350	451	2128	2216
AF 2000/2_C	1490	1440	1200	–	473	1225	1613	360	1081	1695	118	1933	1345	510	2039	2146
AF 3000/2	1500	1440	1200	–	481	1645	2235	396	1467	2405	156	2691	1780	523	2797	2875

# Storatherm Aqua Solar A hot water storage tank with two heating coils

## Geometric data



Type	Circulation connection 4	Cold water connection 1	Connection flange EFHR 7	Connection heating surface(s) 2	Connection hot water 5	Connection socket EEHR 8	Connection temperature sensor 3
Storatherm Aqua Solar AF .../2 rECOflex® insulation with foil jacket, not removable							
AF 200/2_B	R ¾"	R ¾"	DN110	R 1"	R ¾"	G 1 ½"	16 mm
AF 200/2_C	R ¾"	R ¾"	DN110	R 1"	R ¾"	G 1 ½"	16 mm
AF 300/2S_B	R ¾"	R 1"	DN110	R 1"	R 1"	G 1 ½"	16 mm
AF 300/2S_C	R ¾"	R 1"	DN110	R 1"	R 1"	G 1 ½"	16 mm
AF 300/2_B	R ¾"	R 1"	DN110	R 1"	R 1"	G 1 ½"	16 mm
AF 400/2_C	R ¾"	R 1"	DN110	R 1"	R 1"	G 1 ½"	16 mm
AF 400/2_B	R ¾"	R 1"	DN110	R 1"	R 1"	G 1 ½"	16 mm
AF 500/2_B	R ¾"	R 1"	DN110	R 1"	R 1"	G 1 ½"	16 mm
AF 500/2_C	R ¾"	R 1"	DN110	R 1"	R 1"	G 1 ½"	16 mm

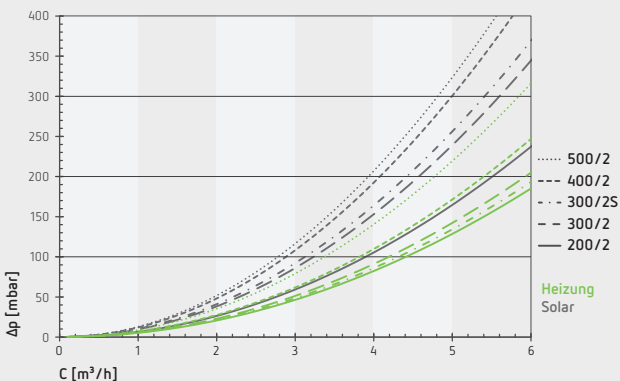
## Storatherm Aqua Solar A hot water storage tank with two heating coils

Type	Circulation connection 4	Cold water connection 1	Connection flange EFHR 7	Connection heating surface(s) 2	Connection hot water 5	Connection socket EEHR 8	Connection temperature sensor 3
Storatherm Aqua Solar AF .../2 fleece insulation with foil jacket							
AF 750/2_C	R ¾"	R 1 ¼"	DN180	R 1"	R 1 ¼"	G 1 ½"	16 mm
AF 1000/2_C	R ¾"	R 1 ¼"	DN180	R 1"	R 1 ¼"	G 1 ½"	16 mm
AF 1500/2_C	R 1 ¼"	R 2"	DN180	R 1 ¼"	R 2"	–	15 mm
AF 2000/2_C	R 1 ¼"	R 2"	DN180	R 1 ¼"	R 2"	–	15 mm
AF 3000/2	R 1 ¼"	R 2"	DN180	R 1 ¼"	R 2"	–	15 mm

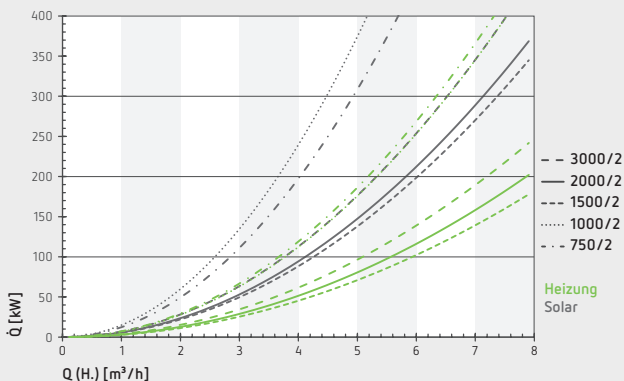
# Storatherm Aqua Solar A hot water storage tank with two heating coils

## pressure loss

Storatherm Aqua  
AF 200/2 – AF 500/2

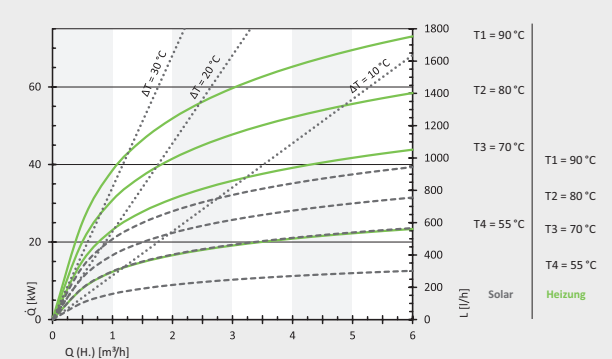


Storatherm Aqua  
AF 750/2 – AF 3000/2

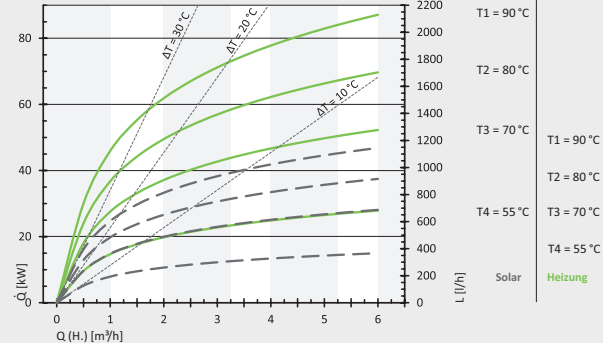


## Performance diagrams

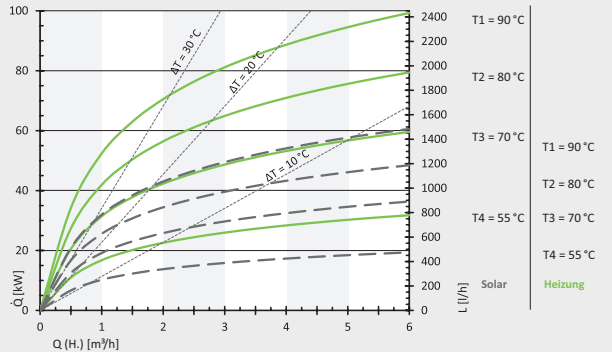
Storatherm Aqua Solar 300/2  
at a draw-off temperature of 45 °C



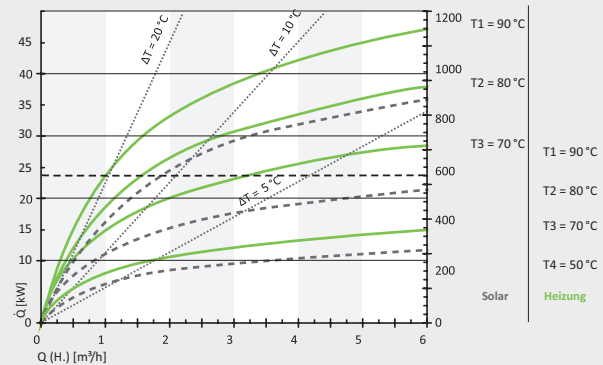
Storatherm Aqua Solar 400/2  
at a draw-off temperature of 45 °C



Storatherm Aqua Solar 500/2  
at a draw-off temperature of 45 °C



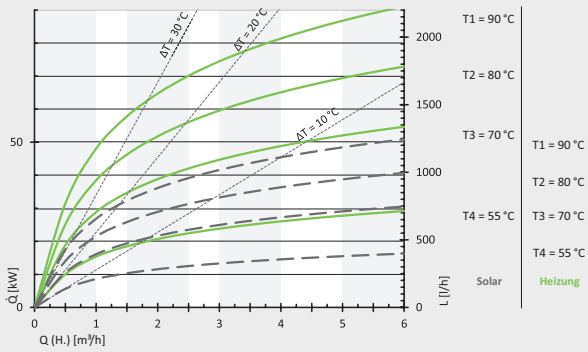
Storatherm Aqua Solar 200/2  
at a draw-off temperature of 45 °C



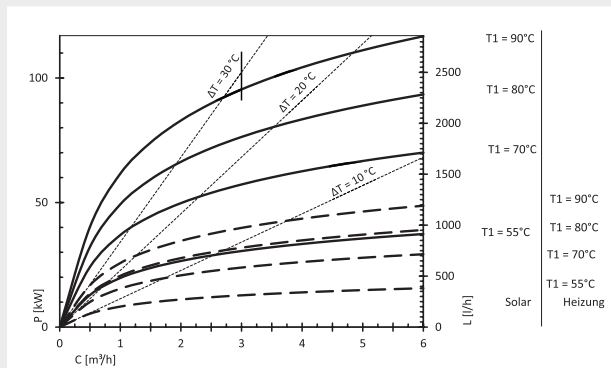
# Storatherm Aqua Solar A hot water storage tank with two heating coils

## Performance diagrams

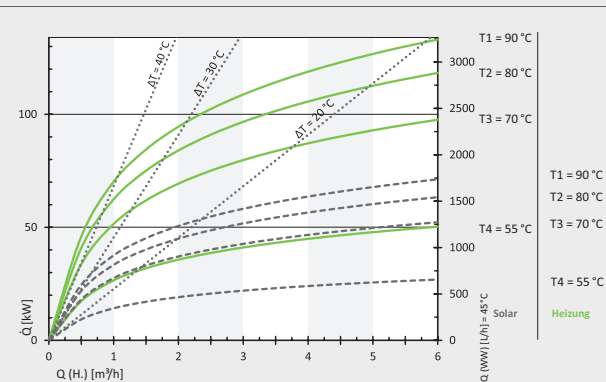
Storatherm Aqua Solar 750/2  
at a draw-off temperature of 45 °C



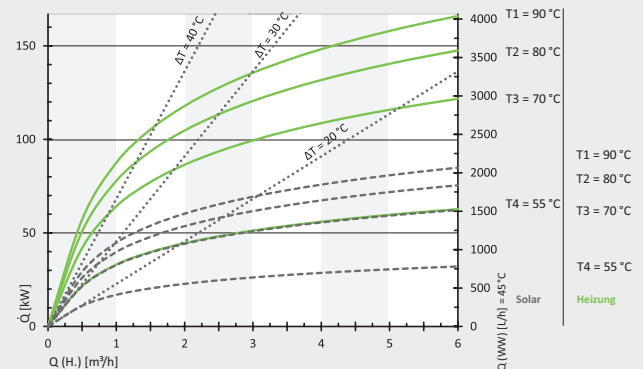
Storatherm Aqua Solar 1000/2  
at a draw-off temperature of 45 °C



Storatherm Aqua Solar 1500/2  
at a draw-off temperature of 45 °C



Storatherm Aqua Solar 2000/2  
at a draw-off temperature of 45 °C



Storatherm Aqua Solar 3000/2  
at a draw-off temperature of 45 °C

