

# Buffer tanks

## Storatherm Heat buffer storage tank for heating and cooling systems



H 300/1 – 5,000/1



HF 300/1 – 2,000/1

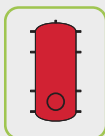


HF 500/2 – 1,500/2

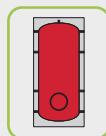
### Technical Features

- high-grade S235JRG2 (St 37-2) for heating and cooling applications
- tank not treated inside, plastic-coated outside
- insulation factory fitted
- fleece insulation with foil jacket, not diffusion-tight
- max. permissible operating overpressure:  
→ tank 3 bar (1.500l 6 bar)
- max. permissible operating temperature:  
→ tank 95 °C

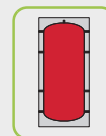
### Type overview



**H.../R**  
buffer tank with cleaning opening without insulation for cooling applications. suitable diffusion-tight thermal insulation must be provided by the user.  
without insulation



**HF.../R**  
buffer tank with cleaning opening and insulation  
**insulation**  
up to 1,000 l: 100 mm fleece insulation with foil jacket, removable  
from 1,500 l: 120 mm fleece insulation with foil jacket, removable



**HF...**  
buffer tank with insulation, without service flange  
**insulation**  
up to 1,000 l: 100 mm fleece insulation with foil jacket, removable  
from 1,500 l: 120 mm fleece insulation with foil jacket, removable

## Storatherm Heat buffer storage tank for heating and cooling systems

Type	Art. No.		EEC <sup>1</sup>	Nenninhalt Pufferspeicher [l]	Max. Installation- length EEHR [mm]	Max. Installation length EEHR [mm]	Tilted dimension [mm]	Weight [kg]
	silver	white						
<b>Storatherm Heat H .../R buffer tank with cleaning opening without insulation</b>								
H 300/R	7783600	–	–	302	631	695	1380	58,00
H 500/R	7783800	–	–	476	670	606	1991	71,00
H 800/R	7784005	–	–	780	863	799	1902	121,00
H 1000/R	7784205	–	–	921	863	799	2181	135,00
H 1500/R	7784400	–	–	1412	1093	1009	2221	181,00
H 2000/R	7784600	–	–	2036	1292	1239	2281	257,00
H 3000/R	7788200	–	–	2958	1571	1518	2314	570,00
H 4000/R	7788500	–	–	3939	1571	1518	2841	677,00
H 5000/R	7788800	–	–	4867	1571	1518	3347	814,00
<b>Storatherm Heat HF ... buffer tank with insulation, without service flange</b>								
HF 300_C	7839100	–	C	302	670	–	1381	59,00
HF 500_C	7839200	–	C	476	670	–	1991	72,00
HF 800_C	7839300	–	C	780	863	–	1902	124,00
HF 1000_C	7839400	–	C	921	883	–	2181	139,00
HF 1500_C	7839500	–	C	1412	1093	–	2222	186,00
HF 2000_C	7839600	–	C	2036	1272	–	2234	266,00
<b>Storatherm Heat HF .../R buffer tank with cleaning opening and insulation</b>								
HF 300/R_C	7842000	7842600	C	302	670	606	1381	60,30
HF 500/R_C	7842100	7842700	C	476	670	606	1991	79,10
HF 800/R_C	7842200	7842800	C	780	863	799	1902	104,10
HF 1000/R_C	7842300	7842900	C	921	863	799	2181	113,30

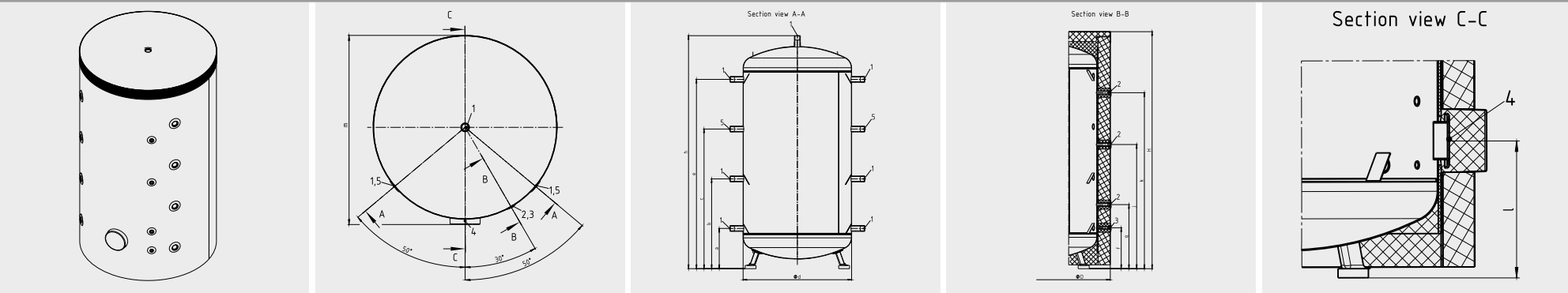
## Storatherm Heat buffer storage tank for heating and cooling systems

Type	Art. No.		EEC <sup>1</sup>	Nenninhalt Pufferspeicher [l]	Max. Installation- length EEHR [mm]	Max. Installation length EEHR [mm]	Tilted dimension [mm]	Weight [kg]
	silver	white						
HF 1500/R_C	7842400	7843000	C	1412	1093	1034	2222	189,00
HF 2000/R_C	7842500	7843100	C	2032	1292	1219	2281	269,00

<sup>1</sup> Energy efficiency class

# Storatherm Heat buffer storage tank for heating and cooling systems

## Geometric data



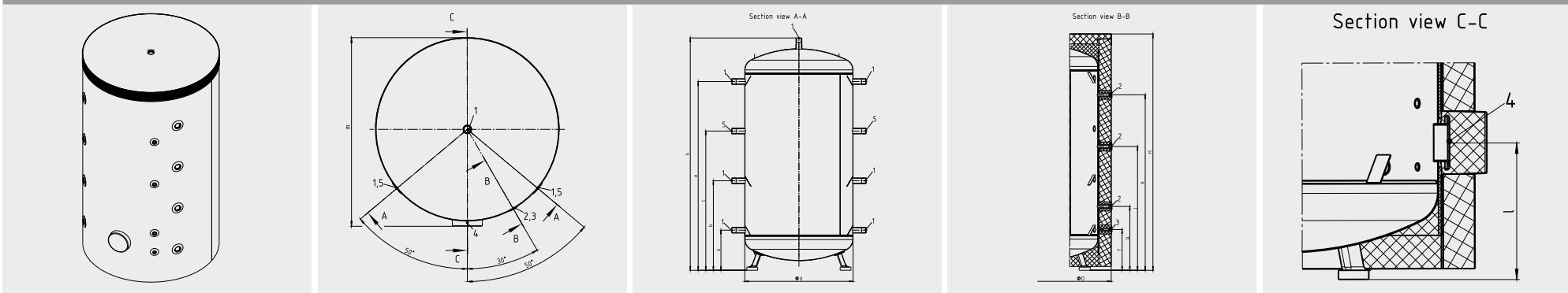
Type	Depth m [mm]	Diameter D [mm]	Diameter without insulation d [mm]	Height connection									Height without insulation h [mm]	Max. height	
				EFHR 1 l [mm]	drainage f [mm]	sensor 1 g [mm]	sensor 2 j [mm]	sensor 3 k [mm]	socket/ flange 1 a [mm]	socket/ flange 2 b [mm]	socket/ flange 3 c [mm]	socket/ flange 4 e [mm]		H [mm]	h [mm]
Storatherm Heat H .../R buffer tank with cleaning opening without insulation															
H 300/R	854	–	597	265	210	380	670	960	225	490	760	1033	–	–	1321
H 500/R	854	–	597	265	210	375	945	1515	225	701	1181	1655	–	–	1951
H 800/R	1025	–	790	311	221	386	896	1446	236	656	1076	1496	–	–	1825
H 1000/R	1047	–	790	385	296	461	1011	1581	310	768	1228	1681	–	–	2115
H 1500/R	1280	–	1000	421	341	551	1096	1566	341	798	1258	1716	–	–	2119
H 2000/R	1480	–	1200	441	365	575	1100	1630	365	805	1245	1680	–	–	2142
H 3000/R	–	–	1500	550	495	845	1247	1597	495	845	1247	1597	–	–	2101
H 4000/R	–	–	1500	551	495	1090	1577	2171	495	1090	1577	2171	–	–	2676
H 5000/R	–	–	1500	575	520	1305	1895	2682	520	1305	1895	2682	–	–	3211

## Storatherm Heat buffer storage tank for heating and cooling systems

Type	Depth m [mm]	Diameter D [mm]	Diameter without insulation d [mm]	Height connection									Height without insulation h [mm]	Max. height	
				EFHR 1 l [mm]	drainage f [mm]	sensor 1 g [mm]	sensor 2 j [mm]	sensor 3 k [mm]	socket/ flange 1 a [mm]	socket/ flange 2 b [mm]	socket/ flange 3 c [mm]	socket/ flange 4 e [mm]		H [mm]	h [mm]
<b>Storatherm Heat HF ... buffer tank with insulation, without service flange</b>															
HF 300_C	–	797	597	–	210	380	670	960	225	490	760	1033	1320	1342	–
HF 500_C	–	797	597	–	210	375	945	1515	225	701	1181	1655	1951	1942	–
HF 800_C	–	980	790	–	221	386	896	1446	236	656	1076	1496	1825	1828	–
HF 1000_C	–	980	790	–	296	461	1011	1581	310	768	1228	1681	2115	2117	–
HF 1500_C	–	1240	1000	–	341	551	1096	1566	341	798	1258	1716	2119	2100	–
HF 2000_C	–	1442	1200	–	365	575	1100	1630	365	805	1245	1680	2142	2173	–
<b>Storatherm Heat HF .../R buffer tank with cleaning opening and insulation</b>															
HF 300/R_C	854	797	597	265	210	380	670	960	225	490	760	1033	1321	1342	–
HF 500/R_C	854	797	597	265	210	375	945	1515	225	701	1181	1655	1951	1942	–
HF 800/R_C	1025	980	790	311	221	386	896	1446	236	656	1076	1496	1825	1828	–
HF 1000/R_C	1047	980	790	385	296	461	1011	1581	310	768	1228	1681	2115	2117	–
HF 1500/R_C	1280	1240	1000	421	341	551	1096	1566	341	798	1258	1716	2119	2100	–
HF 2000/R_C	1480	1442	1200	441	365	575	1100	1630	365	805	1245	1680	2142	2173	–

# Storatherm Heat buffer storage tank for heating and cooling systems

## Geometric data



Type	Connection drainage 3	Connection flange EFHR 4	Connection socket EEHR 5	Connection socket / flange 1	Connection temperature sensor 2
<b>Storatherm Heat H .../R buffer tank with cleaning opening without insulation</b>					
H 300/R	G 1/2"	DN110	G 1 1/2"	G 1 1/2"	G 3/4"
H 500/R	G 1/2"	DN110	G 1 1/2"	G 1 1/2"	G 3/4"
H 800/R	G 1/2"	DN110	G 1 1/2"	G 1 1/2"	G 3/4"
H 1000/R	G 1/2"	DN110	G 1 1/2"	G 1 1/2"	G 3/4"
H 1500/R	G 1/2"	DN110	G 1 1/2"	G 1 1/2"	G 3/4"
H 2000/R	G 1/2"	DN110	Rp 1 1/2"	Rp 1 1/2"	G 3/4"
H 3000/R	Rp 3/4"	DN110	Rp 2"	Rp 2"	Rp 1/2"
H 4000/R	Rp 3/4"	DN110	Rp 2"	Rp 2"	Rp 1/2"
H 5000/R	Rp 3/4"	DN110	Rp 2"	Rp 2"	Rp 1/2"
<b>Storatherm Heat HF ... buffer tank with insulation, without service flange</b>					
HF 300_C	G 1/2"	–	G 1 1/2"	G 1 1/2"	G 3/4"
HF 500_C	G 1/2"	–	G 1 1/2"	G 1 1/2"	G 3/4"

## Storatherm Heat buffer storage tank for heating and cooling systems

Type	Connection drainage 3	Connection flange EFHR 4	Connection socket EEHR 5	Connection socket/flange 1	Connection temperature sensor 2
HF 800_C	G 1/2"	–	G 1 1/2"	G 1 1/2"	G 3/4"
HF 1000_C	G 1/2"	–	G 1 1/2"	G 1 1/2"	G 3/4"
HF 1500_C	G 1/2"	–	G 1 1/2"	G 1 1/2"	G 3/4"
HF 2000_C	G 1/2"	–	Rp 1 1/2"	Rp 1 1/2"	G 3/4"
<b>Storatherm Heat HF .../R buffer tank with cleaning opening and insulation</b>					
HF 300/R_C	G 1/2"	DN110	G 1 1/2"	G 1 1/2"	G 3/4"
HF 500/R_C	G 1/2"	DN110	G 1 1/2"	G 1 1/2"	G 3/4"
HF 800/R_C	G 1/2"	DN110	G 1 1/2"	G 1 1/2"	G 3/4"
HF 1000/R_C	G 1/2"	DN110	G 1 1/2"	G 1 1/2"	G 3/4"
HF 1500/R_C	G 1/2"	DN110	G 1 1/2"	G 1 1/2"	G 3/4"
HF 2000/R_C	G 1/2"	DN110	Rp 1 1/2"	Rp 1 1/2"	G 3/4"