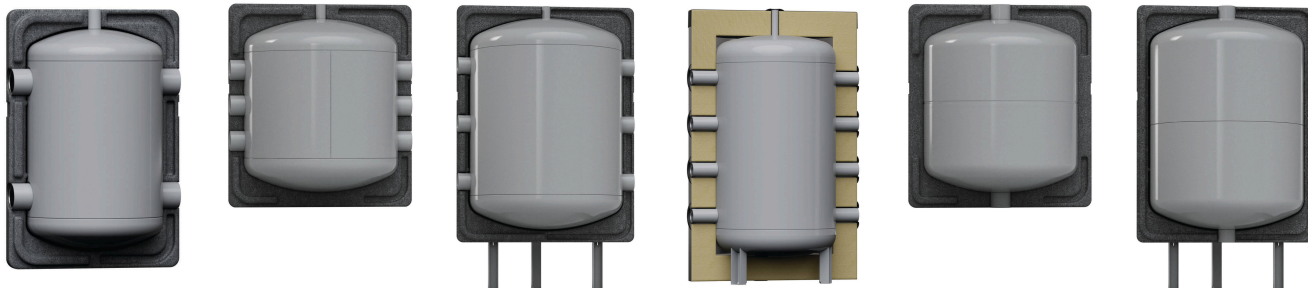


# Buffer tanks

Storatherm Heat buffer storage tank for heating and cooling systems with high volume



H 25

H 50

H 100

H 150 – 200

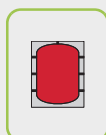
V 25 – 50

V 75 – 100

## Technical Features

- Storage tank made of quality steel for heating and cooling applications without dew point undershooting
- tank interior untreated, exterior painted
- EPP insulation for 25 – 100 litre types, not diffusion-tight
- fleece insulation for 150 – 200 litre types, not diffusion-tight
- max. permissible operating overpressure
  - ≤ 100l: 4 bar
  - > 150l: 3 bar
- max. permissible operating temperature:
  - 15 – 95 °C

## Type overview

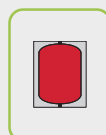


### H Mini H...

buffer tank with a 1 1/2" connection at the top plus side connections

#### insulation

up to 100l: removable EPP insulation, not diffusion-tight  
 from 150 l: removable fleece insulation, not diffusion-tight



### H Mini V...

buffer tank with a 1 1/2" connection at the top and bottom

#### insulation

removable EPP insulation, not diffusion-tight

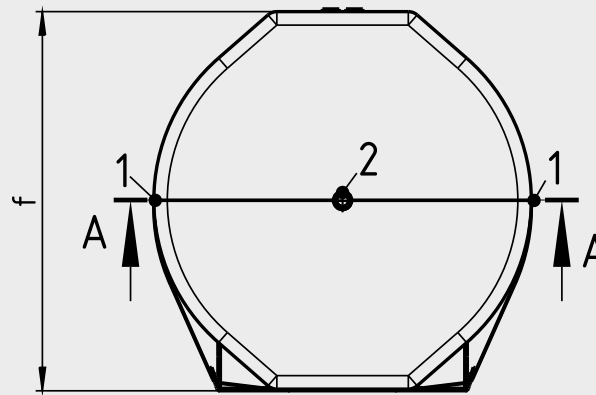
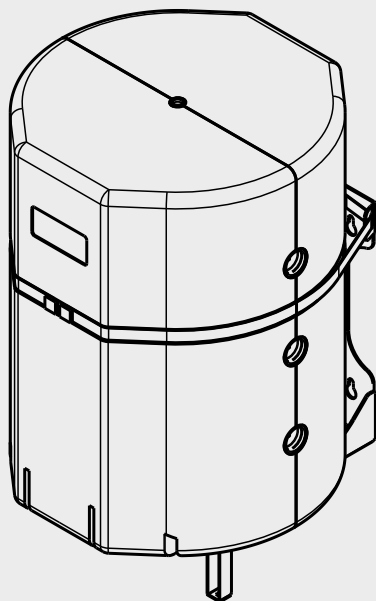
## Storatherm Heat buffer storage tank for heating and cooling systems with high volume flows

Type	Art. No.	EEC <sup>1</sup>	Volume	Max. Installation-length EEHR	Tilted dimension	Weight
	silver		[l]	[mm]	[mm]	[kg]
<b>Storatherm Heat Mini H buffer tank with horizontal connections</b>						
H 25	7352520	B	25	291	615	7,20
H 50	7352530	B	50	417	702	13,20
H 100	7352550	B	106	502	1032	22,35
H 150	7352560	B	148	553	1120	21,30
H 200	7352570	B	199	554	1395	25,50
<b>Storatherm Heat Mini V buffer tank with vertical connections</b>						
V 25	7352420	B	25	–	637	7,10
V 50	7352430	B	50	–	719	13,00
V 75	7352440	B	80	–	927	20,30
V 100	7352450	B	106	–	1032	22,10

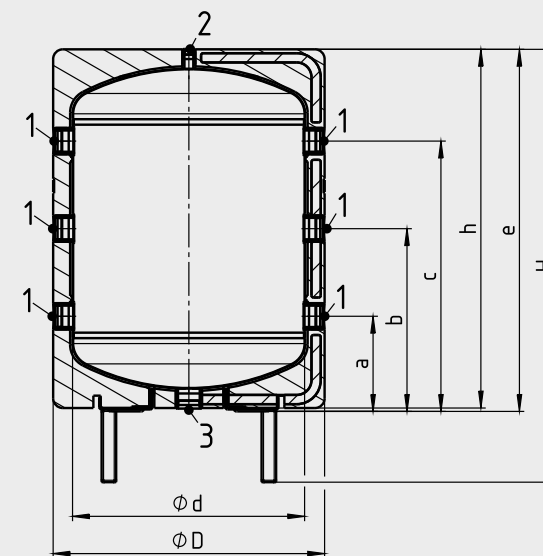
<sup>1</sup> Energy efficiency class

# Storatherm Heat buffer storage tank for heating and cooling systems with high volume flows

## Geometric data



Section view A-A



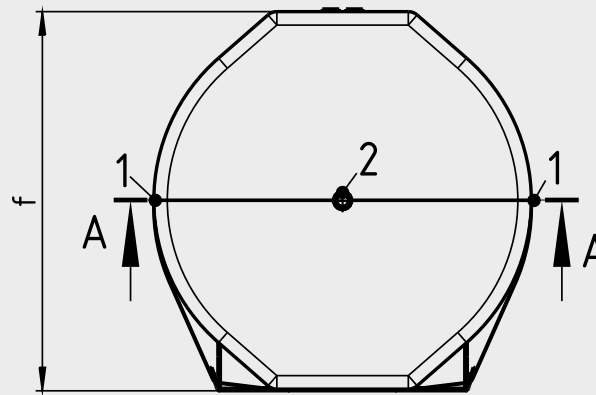
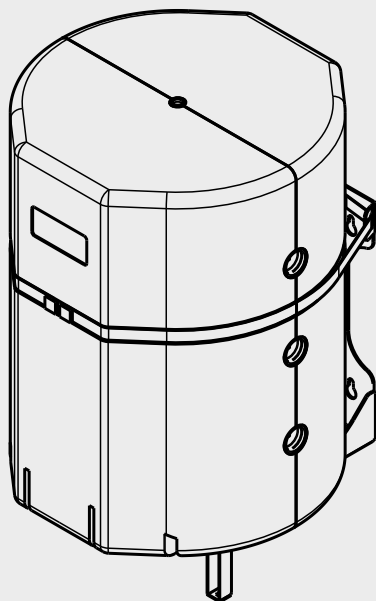
Type	Depth	Diameter	Diameter without insulation	Height connection			Height without feet	Height without insulation	Max. height	
	f [mm]	D [mm]	d [mm]	socket/flange 1 a [mm]	socket/flange 2 b [mm]	socket/flange 3 c [mm]			H [mm]	e [mm]
Storatherm Heat Mini H buffer tank with horizontal connections										
H 25	362	360	280	148	382	-	-	490	-	534
H 50	493	490	410	176	270	364	-	500	-	547
H 100	563	560	480	189	370	551	743	700	893	-

## Storatherm Heat buffer storage tank for heating and cooling systems with high volume flows

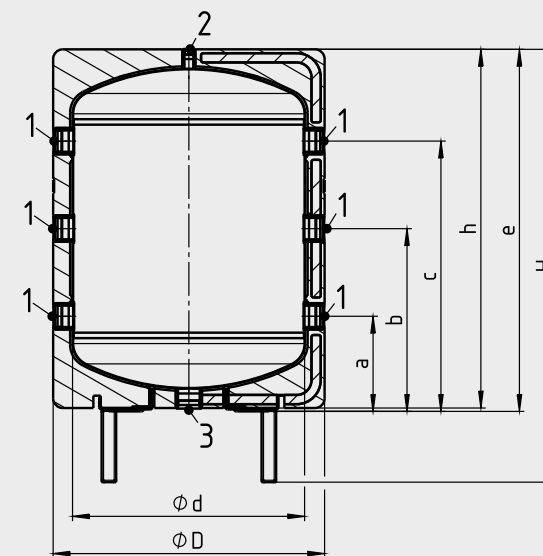
Type	Depth f [mm]	Diameter D [mm]	Diameter without insulation d [mm]	Height connection			Height without feet e [mm]	Height without insulation h [mm]	Max. height	
				socket/flange 1 a [mm]	socket/flange 2 b [mm]	socket/flange 3 c [mm]			H [mm]	e [mm]
Storatherm Heat Mini V buffer tank with vertical connections										
V 25	362	360	280	–	–	–	–	528	–	534
V 50	493	490	410	–	–	–	–	538	–	547
V 75	562	560	480	–	–	–	596	593	746	–
V 100	563	580	480	–	–	–	743	738	893	–

# Storatherm Heat buffer storage tank for heating and cooling systems with high volume flows

## Geometric data



Section view A-A



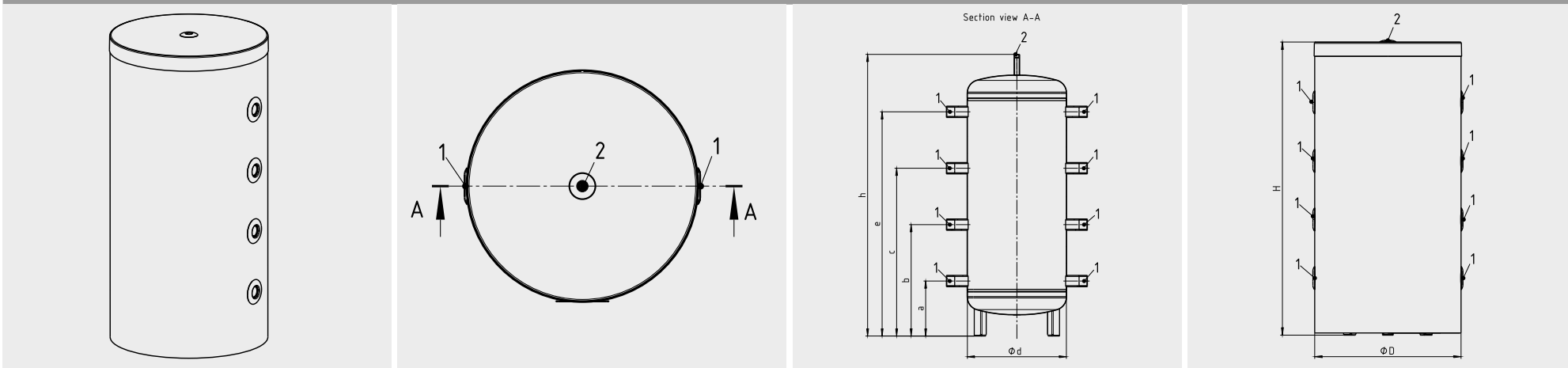
Type	Connection socket EEHR 1	1	Connection socket/flange 2, 3	2	Connection temperature sensor 2
Storatherm Heat Mini H buffer tank with horizontal connections					
H 25	G 1 ½"		G 1 ½"	–	G ½"
H 50	G 1 ½"		G 1 ½"	–	G ½"
H 100	G 1 ½"		G 1 ½"	–	G ½"

## Storatherm Heat buffer storage tank for heating and cooling systems with high volume flows

Type	Connection socket EEHR		Connection socket/flange		Connection temperature sensor
	1	1	2, 3	2	
Storatherm Heat Mini V buffer tank with vertical connections					
V 25	–	–		G 1½"	–
V 50	–	–		G 1½"	–
V 75	–	–		G 1½"	–
V 100	–	–		G 1½"	–

# Storatherm Heat buffer storage tank for heating and cooling systems with high volume flows

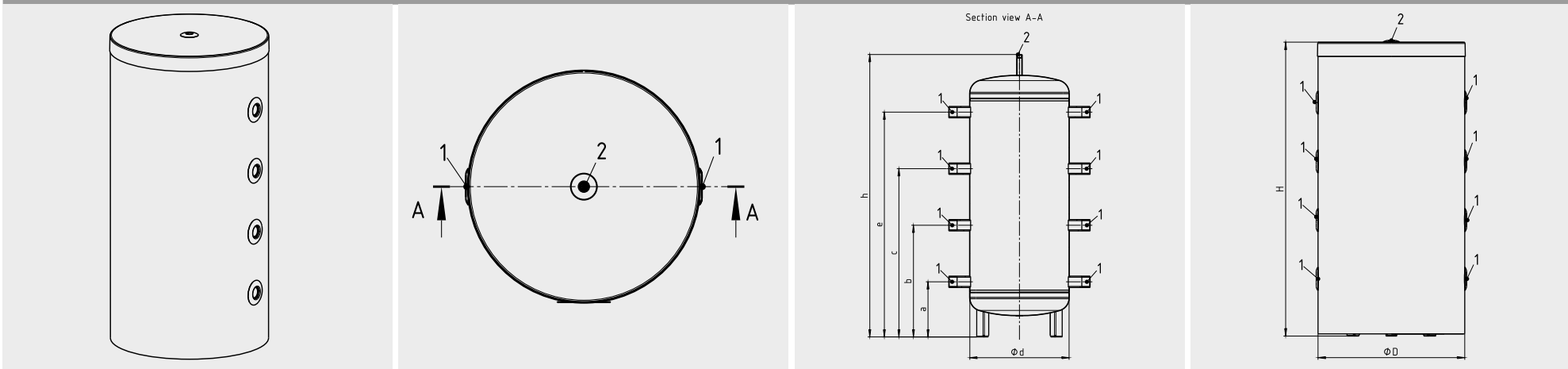
## Geometric data



Type	Diameter D [mm]	Diameter without insulation d [mm]	Height connection				Height without insulation h [mm]	Max. height H [mm]
			socket/flange 1 a [mm]	socket/flange 2 b [mm]	socket/flange 3 c [mm]	socket/flange 4 e [mm]		
Storatherm Heat Mini H buffer tank with horizontal connections								
H 150	680	480	265	445	625	805	1073	1080
H 200	680	480	265	537	809	1081	1358	1370

# Storatherm Heat buffer storage tank for heating and cooling systems with high volume flows

## Geometric data



Type	Connection socket EEHR 1	Connection temperature sensor 2
Storatherm Heat Mini H buffer tank with horizontal connections		
H 150	G 1½"	G ½"
H 200	G 1½"	G ½"