

Hot water storage tanks

Storatherm Aqua Load charge water tank



AL 300/R – 500/R

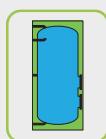


AL 1,500/R3 – 3,000/R3

Technical Features

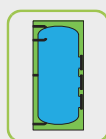
- upright tank for hot water preparation in storage charging system
- enamelling according to DIN 4753-3 T3
- with magnesium anode, thermometer and mounts
- up to 4 maintenance openings
- ≤ 2.000 l insulation factory fitted
- max. permissible operating overpressure:
→ potable water 10 bar
- max. permissible operating temperature:
→ potable water 95 °C

Type overview



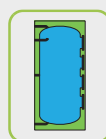
AL.../R2
hot water storage tank with two service flanges

insulation
120 mm fleece insulation with foil jacket, removable



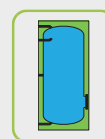
AL.../R3
hot water storage tank with three service flanges

insulation
120 mm fleece insulation with foil jacket, removable



AL.../R4
hot water storage tank with four service flanges

insulation
120 mm fleece insulation with foil jacket, removable



AL.../R
hot water storage tank with one service flange

insulation
up to 500 l: rECOflex® insulation with foil jacket, removable
from 750 l: 100 mm fleece insulation with foil jacket, removable

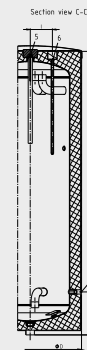
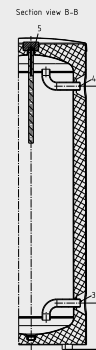
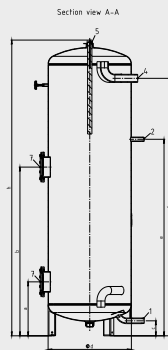
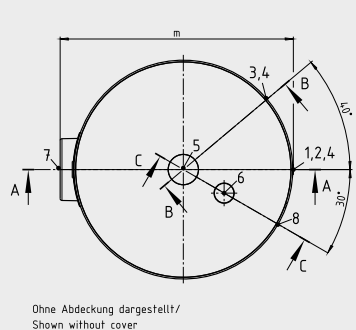
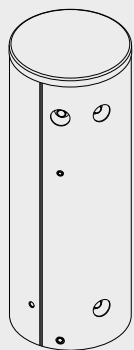
Storatherm Aqua Load charge water tank

Type	Art. No.	EEC ¹	Volume	Max. Installation-length EEHR	Max. Installation length EEHR	Tilted dimension	Weight
	white		[l]	[mm]	[mm]	[mm]	[kg]
Storatherm Aqua Load AL .../R hot water storage tank with one service flange							
AL 300/R_C	7844400	C	304	–	491	1906	90,00
AL 500/R_C	7844500	C	479	–	588	2054	155,00
AL 750/R_C	7844600	C	757	–	750	2122	214,00
AL 1000/R_C	7844700	C	983	–	848	2178	242,00
Storatherm Aqua Load AL .../R2 hot water storage tank with two service flanges							
AL 300/R2_C	7353100	C	304	–	491	1883	90,00
AL 500/R2_C	7353200	C	479	–	588	2025	155,00
AL 750/R2_C	7353300	C	754	–	750	2123	214,00
AL 1000/R2_C	7353400	C	979	–	848	2179	267,00
Storatherm Aqua Load AL .../R3 hot water storage tank with three service flanges							
AL 1500/R3_C	7845100	C	1474	–	992	2353	410,50
AL 2000/R3_C	7845200	C	2017	–	1192	2338	555,00
Storatherm Aqua Load AL .../R4 hot water storage tank with four service flanges							
AL 3000/R4	7845400	–	2794	–	1216	3020	642,00
AL 4000/R4	7845480	–	4031	1588	1530	2893	939,00
AL 5000/R4	7845490	–	4907	1588	1530	3343	1070,00

¹ Energy efficiency class

Storatherm Aqua Load charge water tank

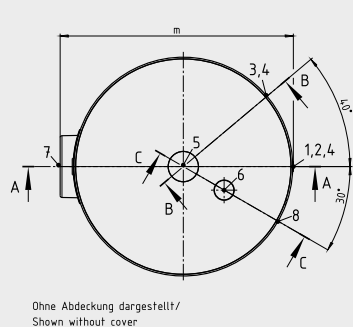
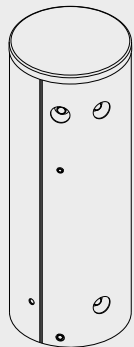
Geometric data



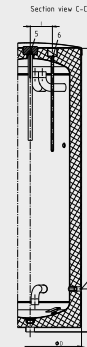
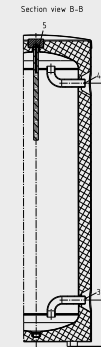
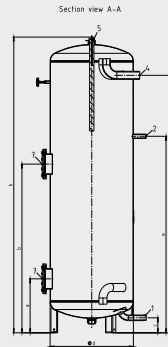
Type	Depth m [mm]	Diameter D [mm]	Diameter without insulation d [mm]	EFHR 1 a [mm]	EFHR 2 b [mm]	Height connection					Height without insulation h [mm]	Max. height H [mm]
						circulation e [mm]	cold water g [mm]	drainage k [mm]	hot water f [mm]	socket / flange 1 c [mm]		
Storatherm Aqua Load AL .../R hot water storage tank with one service flange												
AL 300/R_C	641	600	500	325	–	1180	272	272	1546	90	1756	1794
AL 500/R_C	770	700	597	276	–	1265	238	238	1674	55	1893	1921
Storatherm Aqua Load AL .../R2 hot water storage tank with two service flanges												
AL 300/R2_C	691	650	500	325	1013	1180	272	272	1546	90	1756	1794
AL 500/R2_C	767	700	598	276	1040	1265	238	238	1674	55	1893	1921

Storatherm Aqua Load charge water tank

Geometric data



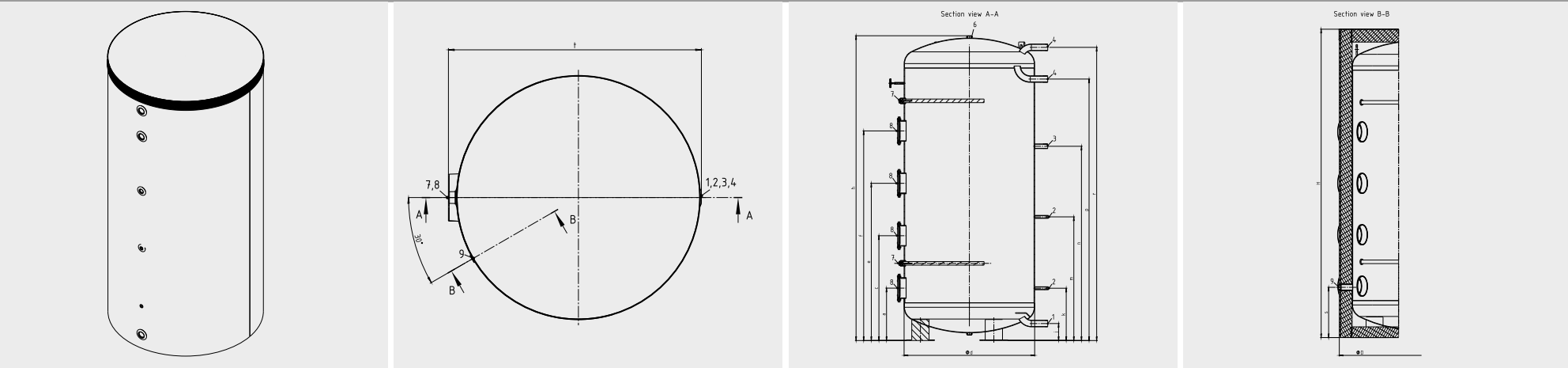
Ohne Abdeckung dargestellt/
Shown without cover



Type	Circulation connection	Cold water connection	Connection drainage	Connection flange EFHR	Connection hot water	Connection socket/flange	Connection temperature sensor
	2	3	8	7	4	1	6
Storatherm Aqua Load AL .../R hot water storage tank with one service flange							
AL 300/R_C	R ¾"	R 1½"	G ½"	DN110	R 1½"	R 1"	16 mm
AL 500/R_C	R ¾"	R 1½"	G ½"	DN110	R 1½"	R 1"	16 mm
Storatherm Aqua Load AL .../R2 hot water storage tank with two service flanges							
AL 300/R2_C	R ¾"	R 1½"	G ½"	DN110	R 1½"	R 1"	16 mm
AL 500/R2_C	R ¾"	R 1½"	G ½"	DN110	R 1½"	R 1"	16 mm

Storatherm Aqua Load charge water tank

Geometric data



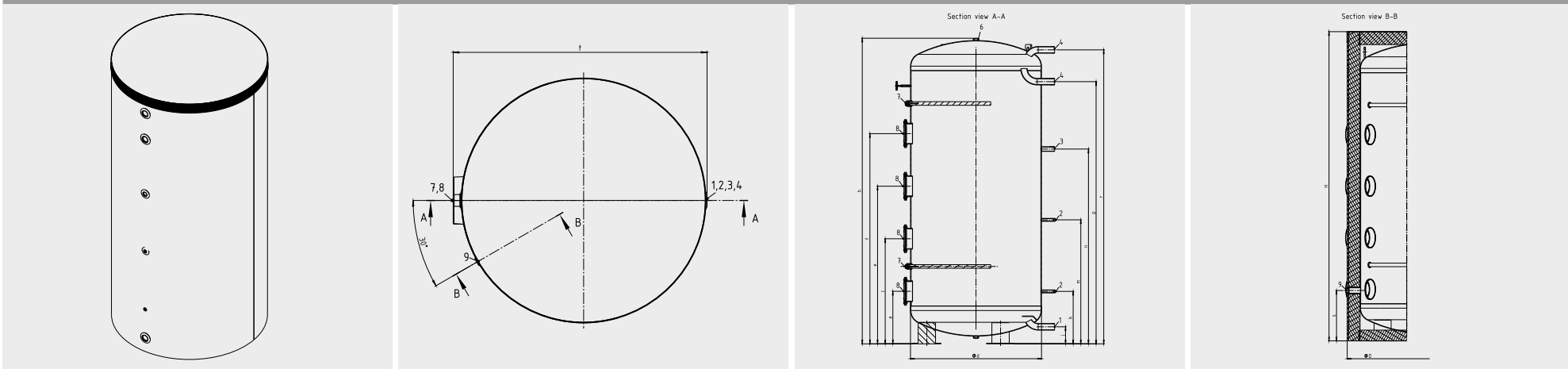
Type	Depth t [mm]	Diameter D [mm]	Diameter without insulation d [mm]	Height connection												Height without insulation h [mm]	Max. height H [mm]
				circulation n [mm]	cold water j [mm]	drainage s [mm]	hot water r [mm]	hot water 2 p [mm]	sensor 1 k [mm]	sensor 2 m [mm]	socket / flange 1 a [mm]	socket / flange 2 c [mm]	socket / flange 3 e [mm]	socket / flange 4 f [mm]			
Storatherm Aqua Load AL .../R hot water storage tank with one service flange																	
AL 750/R_C	1055	950	750	1148	102	–	1894	1643	293	948	383	–	–	–	1939	2042	
AL 1000/R_C	1156	1050	850	1156	100	–	1911	1651	301	956	391	–	–	–	1969	2068	
Storatherm Aqua Load AL .../R2 hot water storage tank with two service flanges																	
AL 750/R2_C	1059	960	750	1147	101	–	1893	1642	101	947	382	752	–	–	1939	2035	
AL 1000/R2_C	1147	1050	850	1155	100	–	1910	1650	300	955	390	740	–	–	1968	2060	

Storatherm Aqua Load charge water tank

Type	Depth t [mm]	Diameter D [mm]	Diameter without insulation d [mm]	Height connection											Height without insulation h [mm]	Max. height H [mm]
				circulation n [mm]	cold water j [mm]	drainage s [mm]	hot water r [mm]	hot water 2 p [mm]	sensor 1 k [mm]	sensor 2 m [mm]	socket/ flange 1 a [mm]	socket/ flange 2 c [mm]	socket/ flange 3 e [mm]	socket/ flange 4 f [mm]		
Storatherm Aqua Load AL .../R3 hot water storage tank with three service flanges																
AL 1500/R3_C	1290	1240	1000	1357	105	350	2049	1763	322	1077	412	824	1236	–	2128	2221
AL 2000/ R3_C	1490	1440	1200	1388	118	360	1960	1650	353	1108	443	886	1329	–	2039	2139
Storatherm Aqua Load AL .../R4 hot water storage tank with four service flanges																
AL 3000/R4	1492	1440	1200	1966	156	470	2691	2400	391	1546	481	962	1443	1924	2797	2884

Storatherm Aqua Load charge water tank

Geometric data



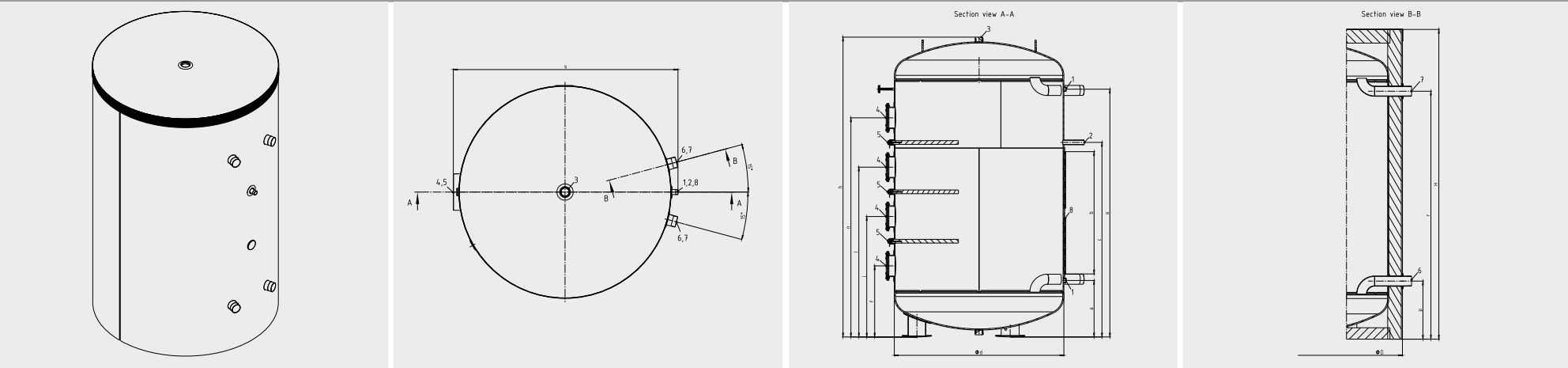
Type	Circulation connection	Cold water connection	Connection drainage	Connection flange EFHR	Connection hot water	Connection socket/flange	Connection temperature sensor
	3	1	9	8	4	6	2
Storatherm Aqua Load AL .../R hot water storage tank with one service flange							
AL 750/R_C	R 1 1/4"	R 2"	–	DN180	R 2"	G 1 1/4"	G 1/2"
AL 1000/R_C	R 1 1/4"	R 2"	–	DN180	R 2"	G 1 1/4"	G 1/2"
Storatherm Aqua Load AL .../R2 hot water storage tank with two service flanges							
AL 750/R2_C	R 1 1/4"	R 2"	–	DN180	R 2"	G 1 1/4"	G 1/2"
AL 1000/R2_C	R 1 1/4"	R 2"	–	DN180	R 2"	G 1 1/4"	G 1/2"
Storatherm Aqua Load AL .../R3 hot water storage tank with three service flanges							
AL 1500/R3_C	R 1 1/4"	R 2"	G 1 1/2"	DN180	R 2"	G 1 1/4"	Rp 1/2"
AL 2000/R3_C	R 1 1/4"	R 2"	G 1 1/2"	DN180	R 2"	G 1 1/4"	Rp 1/2"

Storatherm Aqua Load charge water tank

Type	Circulation connection	Cold water connection	Connection drainage	Connection flange EFHR	Connection hot water	Connection socket/flange	Connection temperature sensor
	3	1	9	8	4	6	2
Storatherm Aqua Load AL .../R4 hot water storage tank with four service flanges							
AL 3000/R4	R 1 ¼"	R 2"	G 1 ½"	DN180	R 2"	G 1 ¼"	Rp ½"

Storatherm Aqua Load charge water tank

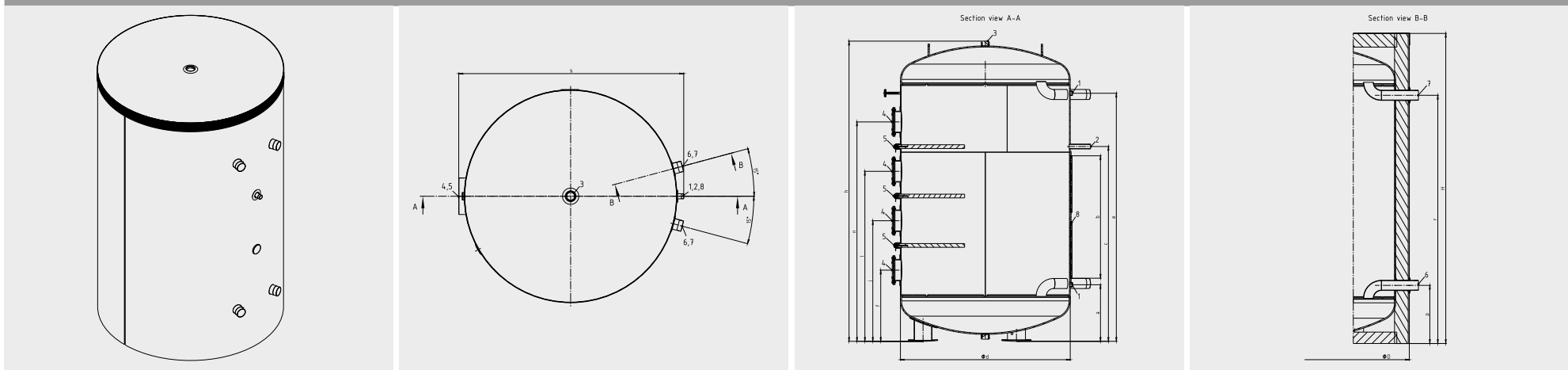
Geometric data



Type	Depth s [mm]	Diameter D [mm]	Diameter without insulation d [mm]	Height connection				Height connection				Height without insulation h [mm]	Length of sensor terminal strip b [mm]	Max. height H [mm]		
				EFHR 1 4 [mm]	circulation c [mm]	cold water p [mm]	hot water r [mm]	sensor 1 a [mm]	sensor 2 e [mm]	socket / flange 1 f [mm]	socket / flange 2 j [mm]				socket / flange 3 l [mm]	socket / flange 4 n [mm]
Storatherm Aqua Load AL .../R4 hot water storage tank with four service flanges																
AL 4000/R4	1850	1740	1500	628	1719	510	2178	499	2189	628	1064	1500	1936	2640	1080	2721
AL 5000/R4	1850	1740	1500	628	2119	510	2663	499	2674	628	1109	1590	2119	3154	1080	3230

Storatherm Aqua Load charge water tank

Geometric data



Type	Circulation connection	Cold water connection	Connection flange EFHR	Connection hot water	Connection socket/flange	Connection temperature sensor	Connection terminal strip
	2	6	4	7	3	1	8
Storatherm Aqua Load AL .../R4 hot water storage tank with four service flanges							
AL 4000/R4	R 1 1/4"	G 3"	DN180	G 3"	Rp 2"	Rp 1"	16 mm
AL 5000/R4	R 1 1/4"	G 3"	DN180	G 3"	Rp 2"	Rp 1"	16 mm