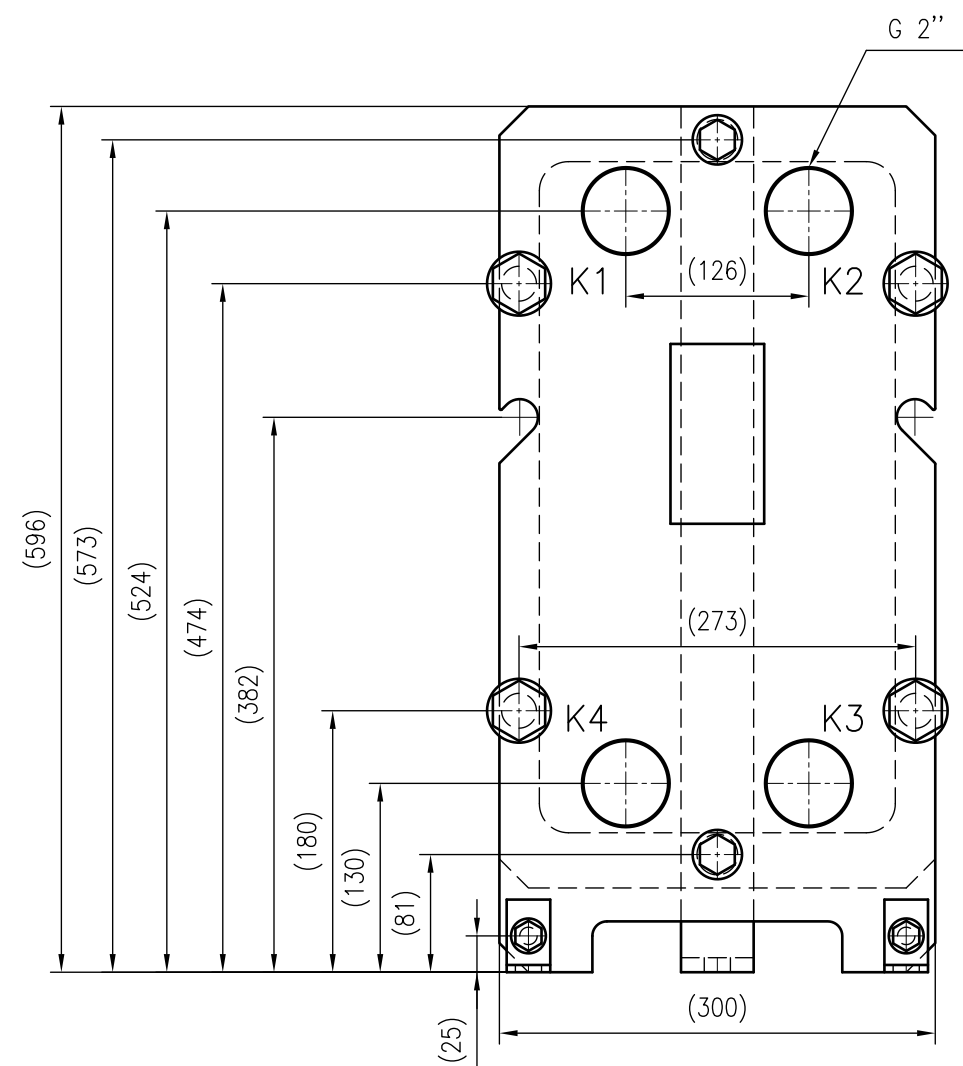
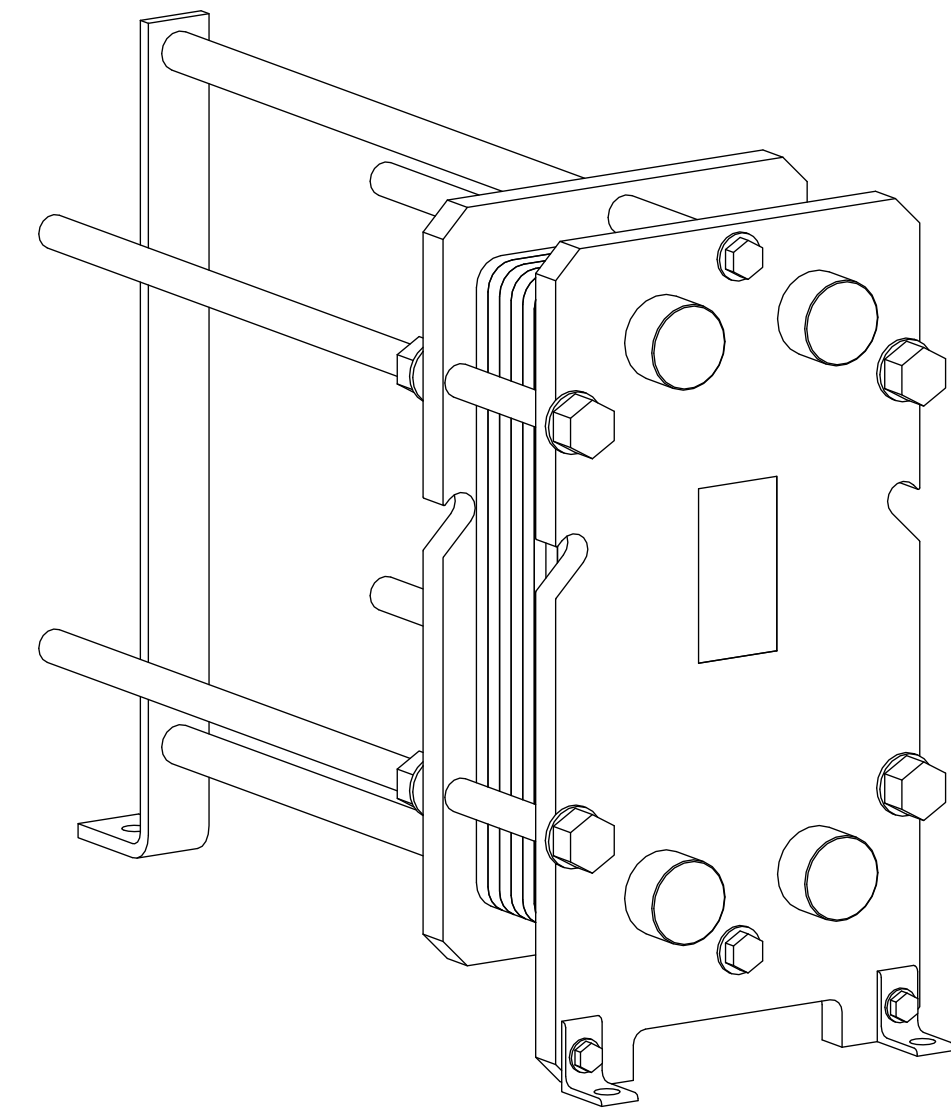


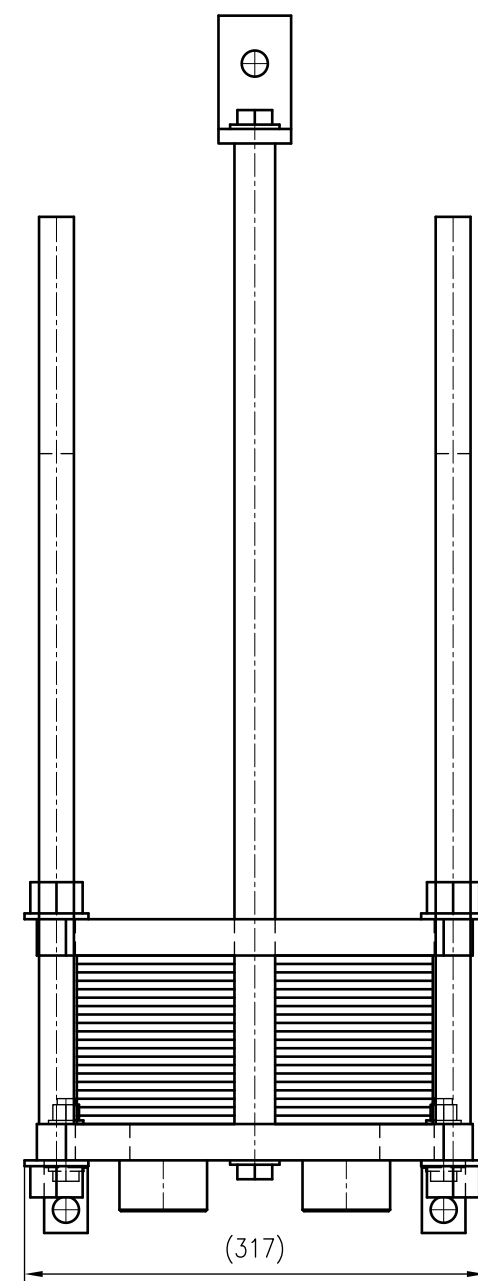
Side view



Front view



Isometric view



Top view



|   |                                   |                        |                     |
|---|-----------------------------------|------------------------|---------------------|
| Unterliegt nicht dem Änderungsdienst/<br>Not subject to change management |                                   | Maßstab/<br>Scale: 1:5 | Format/<br>Size: A2 |
| Revision<br>27.07.2020  | Longtherm RMG-07-40-P16 - 8121900 |                        |                     |