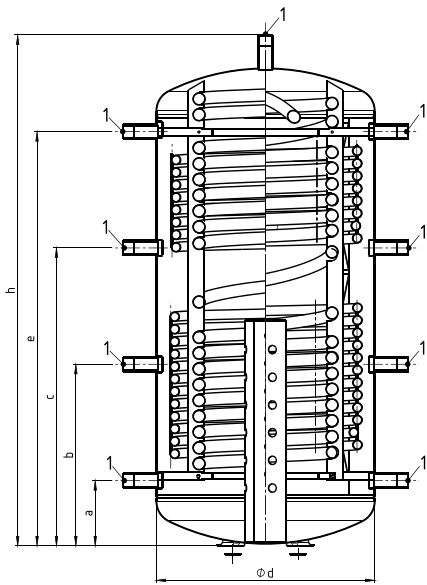
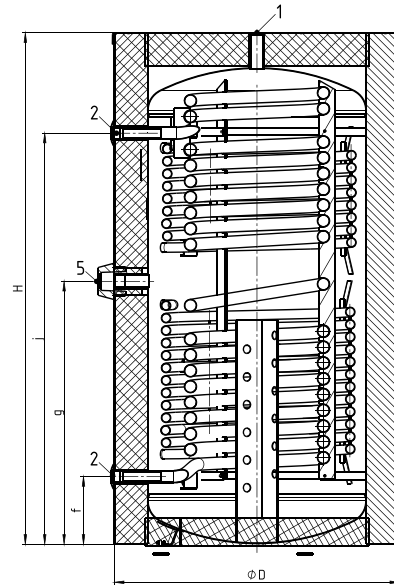


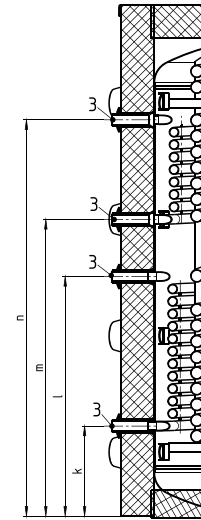
Section view A-A



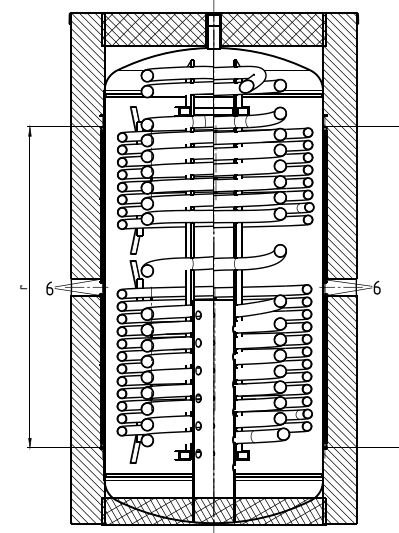
Section view B-B



Section view C-C



Section view E-E



D	1028 mm
H	1847 mm
a	236 mm
b	656 mm
c	1076 mm
d	790 mm
e	1496 mm
f	249 mm
g	954 mm
h	1845 mm
j	1489 mm
k	330 mm
l	870 mm
p	110 mm

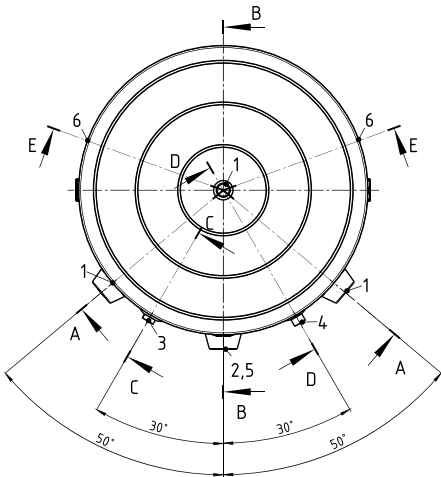
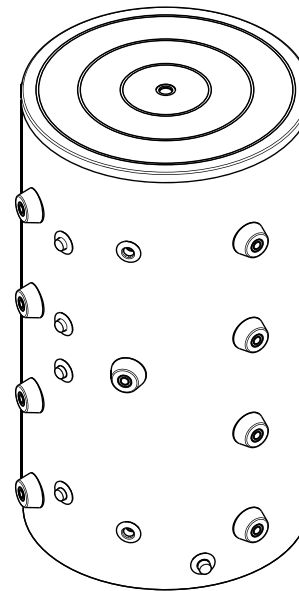
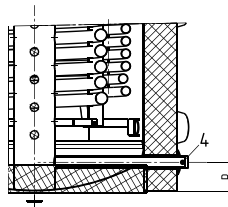
1	G 1 1/2"
2	G 1 1/4"
3	R 1 1/4"
4	R 1 1/4"
5	G 1 1/2"

1	Innengewinde
---	--------------



Thinking solutions.

Section view D-D



Unterliegt nicht dem Änderungsdienst /
Not subject to change management

Maßstab /
Scale: unmaßstäblich
unmeasured

Format /
Size: A4

Revision
19/06/2026

Storatherm Heat Combi HC 800/1_C
silber – Pdf_drawing_7859300